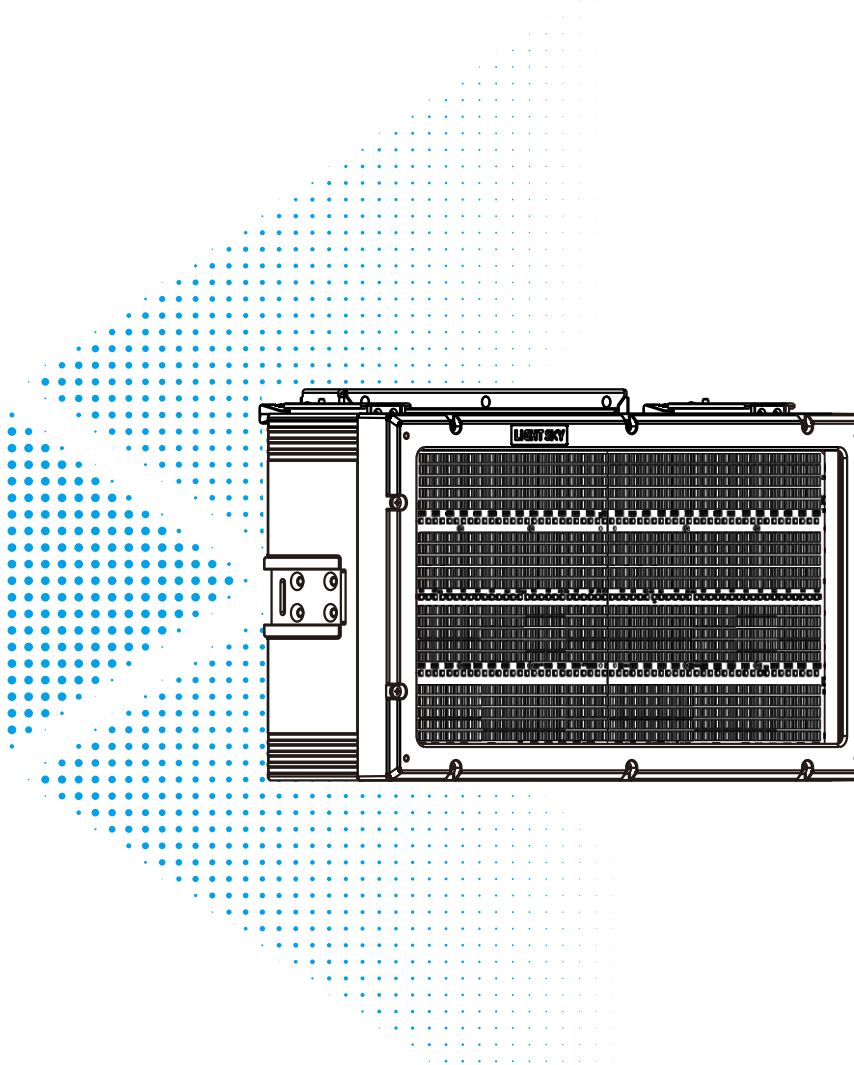


LIGHT SKY

www.lightsky.com.cn



Fly Dragon Lighting Equipment Co., Ltd.

Add : NO.4 JINGNENG ROAD 1, HUADU DISTRICT, GUANGZHOU, CHINA.
Tel : 020-61828288 Fax : 020-61828188 Postal Code : 510820
Email : flydragon@lightsky.com.cn



Social Media



LIGHT SKY Wechat

SEAGUL User Manual

Please read the instruction carefully before use

CONTENTS

1. Safety Instructions	2
2. Technical Specifications	5
2.1. Attachment And Size	7
3. Connection and control	10
3.1. Power supply connection	10
3.2. DMX 512 Connection	11
3.3. Control Panel	12
4. How To Set The Unit	13
4.1. Main Function	13
4.2. Address Setting	15
4.3. DMX 512 Configuration	16
5. Electrical Connection Diagram	19
6. Troubleshooting	20
7. Fixture Cleaning	21
8. Duty exonerative and copyright protectio	21

Congratulations on choosing our company product! We thank you for your custom.

- Please keep in mind that this product, like other products of the company, adheres to the concept of people-oriented design and manufacture, and takes product quality as the foundation.
- We put the interests of customers first, and do our best to meet customer requirements.
- Please read this instruction manual carefully and keep it for future reference. In the case of fully understanding the product information, strictly abide by theUse the instruction manual to ensure that the product is installed, used and serviced correctly and safely.
- Our company is not responsible for any damage to lamps or other performance due to personal failure to follow the instructions during installation, use and maintenance.responsibility.
- Our company reserves the right to modify the manual at any time and without prior notice.

1.Safety Instructions

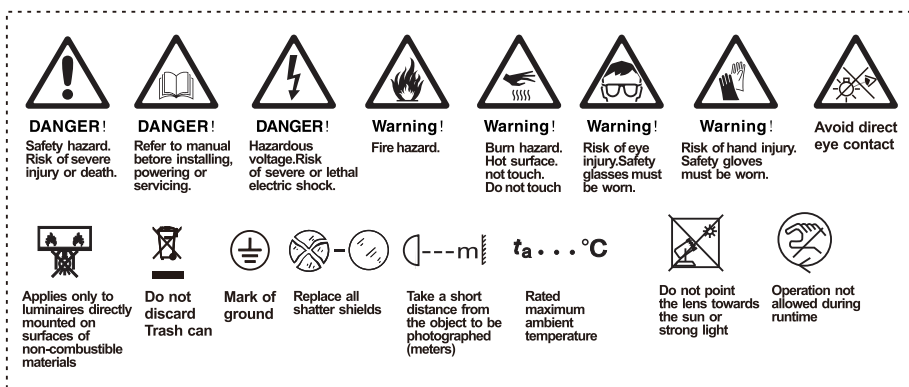


Please read the instruction carefully which includes important information about the installation, usage and maintenance.

WARNING

Please keep this User Manual for future consultation. If you sell the unit to another user, be sure that they also receive this manual.

The following symbols are used to identify important safety information on the product and in this manual:

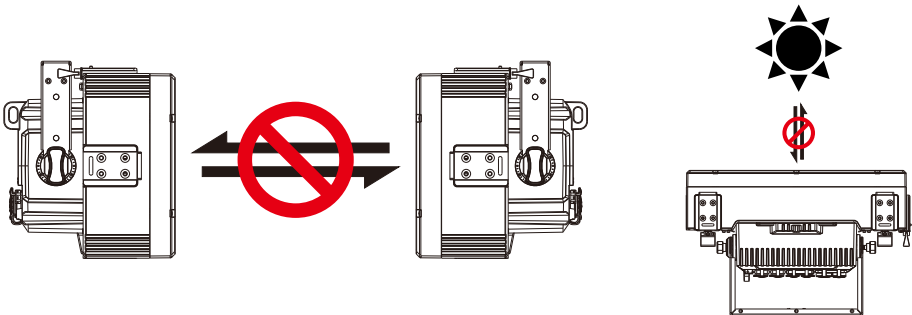


Important:

Damages caused by the disregard of this user manual are not subject to warranty. The dealer will not accept liability for any resulting defects or problems.

- Unpack and check carefully to ensure that there is no transportation damage before using the unit.
- Do install and operate by qualified operator.
- The light source in this luminaire should be replaced by the manufacturer or its service agent or a similarly qualified person, always cut off the power supply before replacing the light source.
- Do not allow children to operate the fixture.
- Use safety chain when fixing the unit. Handle the unit by carrying its base instead of head only.
- The unit must be installed in a location with adequate ventilation, at least 50cm from adjacent surfaces.
- Be sure that no ventilation slots are blocked, otherwise the unit will be overheated.

- Before operation, ensure that you are connecting this product to the proper voltage in accordance with the specifications in this manual or on the product's specification label.
- It's important to ground the yellow/green conductor to earth in order to avoid electric shock.
- Minimum ambient temperature Ta: -20°C. Maximum ambient temperature Ta: 45°C.
- Do not operate this product at a lower or higher temperature.
- Do not connect the device to any dimmer pack.
- When the lamp is running, do not place combustible objects next to it. The shortest distance between the device and inflammable and explosive objects or materials is 1 m.
- Make sure the power cord is not crimped or damaged; replace it immediately if damaged.
- Unit's surface temperature may reach up to 65°C. Do not touch the housing bare-handed during its operation.
- Avoid any flammable liquids, water or metal from entering the unit. Once it happens, cut off the mains power immediately.
- Do not operate in a dirty or dusty environment. Do clean the fixture regularly.
- Do not touch any wire during operation as there might be a hazard of electric shock.
- Avoid entanglement of the power cord with other wires.
- The distance between the luminaire and the irradiated surface shall be greater than 3 meters.
- Do not shine light directly into another fixture's lens. Intense beam can damage internal components.
- Direct sunlight or any other strong light beam penetrating the front lens of the luminaire can cause severe internal damage. During unpacking, installation, operation, and extended idle periods outdoors, it is prohibited to expose the front lens of the luminaire to beams of direct sunlight or any other strong light source from any angle.



- In the event of serious operating problem, stop using the unit immediately.
- Never turn on and off the unit time after time.
- The housing, the lenses, or the ultraviolet filter must be replaced if they are visibly damaged.

- Do not open the housing as there are no user serviceable parts inside.
- Do not attempt to operate this unit if it becomes damaged. Do not attempt any repairs yourself. Repairs carried out by unskilled people can lead to damage or malfunction. Please contact the nearest authorized technical assistance center if needed.
- Disconnect this product from its power source before servicing.
- Do use the original packaging if the device is to be transported.
- Avoid direct eye exposure to the light source while the product is on.
- Do not operate this product if you see damage on the housing, shields, or cables. Have the damaged parts replaced by an authorized technician at once.

Installation:

The luminaire must be securely fastened to the quick-lock hook with screws to prevent vibration or slipping during operation. The supporting structure must be able to withstand 6 times the weight of the luminaire. Additionally, a safety cable must be installed that can endure 30 free-fall drops from 300mm without failure. Installation should only be performed by qualified professionals, and the luminaire must be mounted in an area inaccessible to unauthorized personnel or away from pedestrian traffic.

2. Technical Specifications

OPTICS

- Light source: 180 x 5W CW+1200 x 0.5W RGB
- Beam angle: 68 °
- Spot angle: 115 °
- Color rendering index: Ra≥79.2
- Color temperature: 2500K-10000K
- Luminous flux RGB: 13882 lm
- Luminous flux W: 34829 lm
- Output illuminance RGB: 338 lx @ 5 m W: 910 lx @ 5 m
- Average lifespan of light source: ≥20000h

EFFECT

- Color Mixing System: A uniform RGB color mixing system, where each color can be individually controlled to achieve multiple effects.
- Intelligent atomization: Linear adjustment of atomization function to enhance color mixing effect.
- Effect macros: static effect macros and dynamic effect macros functions.
- Dimming: Electronic dimming, providing four dimming curves.
- Strobe: 1-30Hz electronic strobe and random strobe.

CONTROL AND PROGRAMMING

- Control channels: Standard 21 channels, Extended 168 channels, 15 channels
- Control protocols: Standard DMX512 protocol, RDM protocol, Art-Net protocol, sACN protocol
- Data connection: Three core or five core signal input/output, RJ45 network input/output
- Display: LCD Screen

SOFTWARE

- Upgrade software through DMX signal interface and USB interface.
- Intelligent temperature control ensures LED lifespan

POWER SUPPLY AND POWER

- Input voltage: AC 100-240V 50/60Hz
- Rated power: 620W
- Strobe power: 1500W
- Power factor: 0.99
- Maximum current of the lamp: 6.3A/100V 2.8A/220V

SIZE AND WEIGHT

- Product size: 438 x 216 x 249mm
- N.W.: 13.1 kg
- Carton packaging (default): 510 x 320 x 380mm G.W.: 15.8KG

OPTIONAL ACCESSORIES / PACKAGING

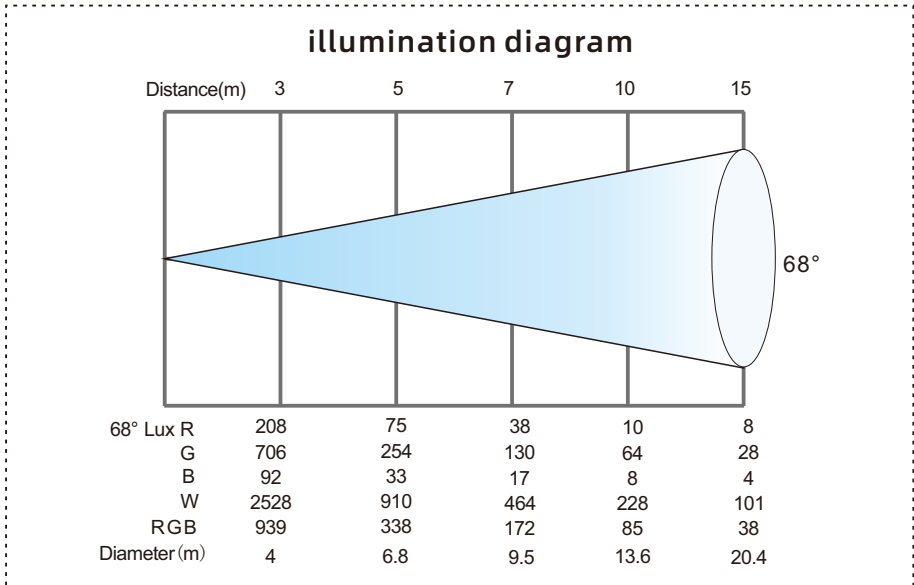
- Hook (with Logo): Code: C0499990075 (Suitable for pipes with a diameter of 40-60 mm)
- Hook (Neutral): Code: C0499990021 (Suitable for pipes with a diameter of 40-60 mm)
- Flycase Size(4 units): 960x700x465mm
- G.W.:86.2kg

OTHER

- Protection level: IP66
- Working environment: -20°C~45°C
- Maximum surface temperature of lamp body: 65 °C
- Utilizes the iM-Lock™ Mortise-Tenon Locking Connection Structure.

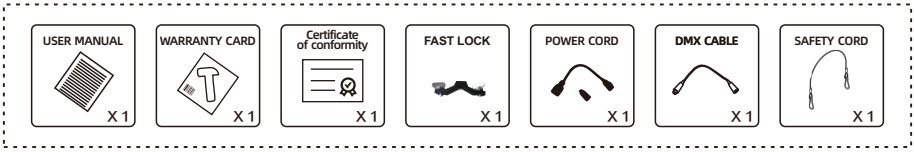
APPROVALS

- The product implementation standard: IEC 60598-1、IEC 60598-2-17
- Approved certifications: CE、RoHs
- The product complies with the following EU directives:
Low Voltage Directive 2014/35/EU . EMC Directive 2014/30/EU

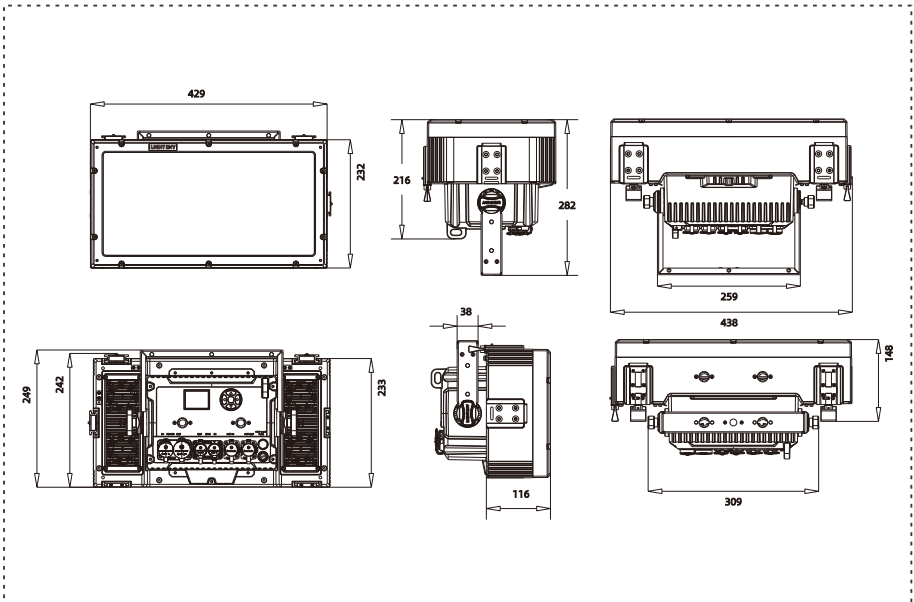


2.1.Attachment And Size

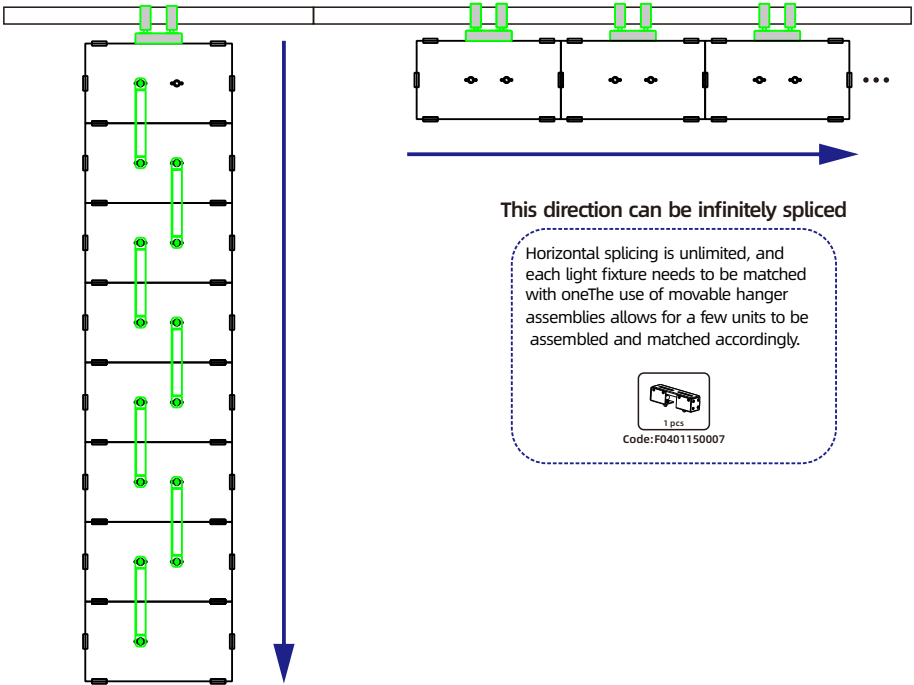
Attachment contents-Fig.1



Size-Fig.2 (Unit:mm)



Splicing Guide Diagram 1



This direction can be infinitely spliced

Horizontal splicing is unlimited, and each light fixture needs to be matched with one. The use of movable hanger assemblies allows for a few units to be assembled and matched accordingly.



1 pcs
Code: F0401150007

Up to 8 units can be spliced in this direction

Up to 8 units can be assembled for lifting and load-bearing, and 8 lighting fixtures need to be used in conjunction with 1 movable hanger assembly and 7 connecting bracket components B.

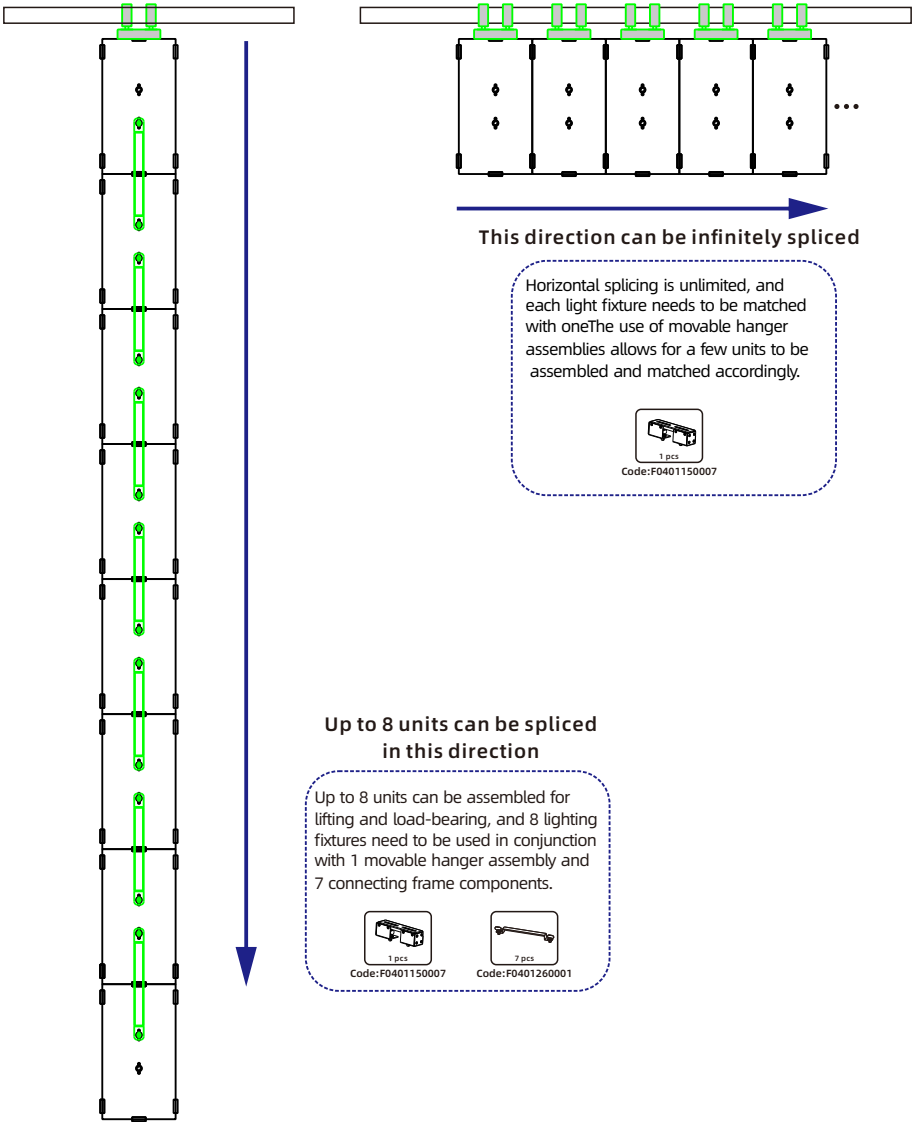


1 pcs
Code: F0401150007



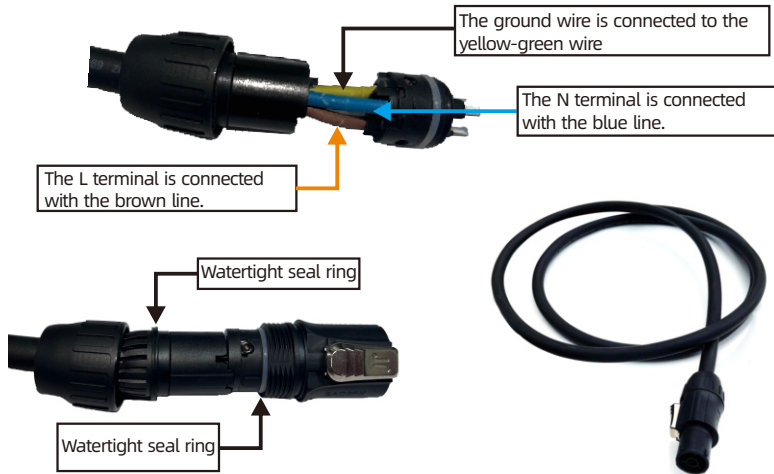
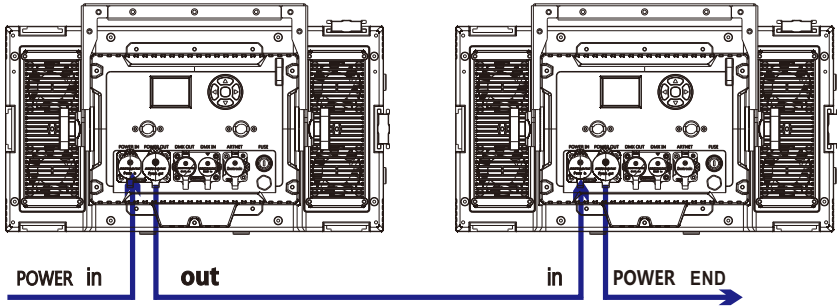
7 pcs
Code: F0401260002

Splicing Guide Diagram 2



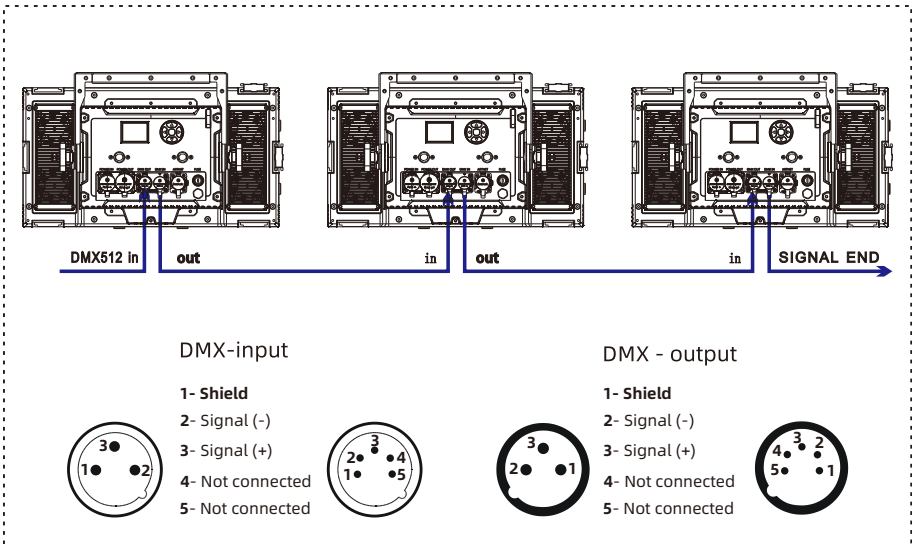
3.Connection and control

3.1.Power supply connection



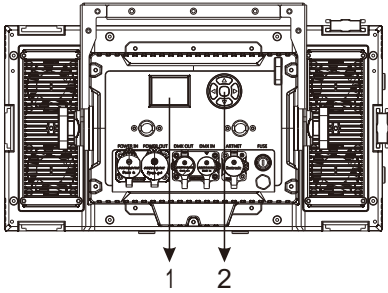
- The bus connecting the power supply must be installed by a qualified professional technician.
- After completing all the above operations and ensuring that it is installed, you can power on the lamp to operate.

3.2. DMX 512 Connection



1. At last unit, the DMX cable has to be terminated with a terminator. Solder a 120Ω 1/4W resistor between pin 2(DMX-) and pin 3(DMX+) into a 3-pin XLR-plug and plug it in the DMX-output of the last unit.
2. Connect the unit together in a “daisy chain” by XLR plug cable from the output of the unit to the input of the next unit. The cable cannot be branched or split to a “Y” cable. DMX 512 is a very high-speed signal. Inadequate or damaged cables, soldered joints or corroded connectors can easily distort the signal and shut down the system.
3. The DMX output and input connectors are pass-through to maintain the DMX circuit, when one of the units’ power is disconnected.
4. Each lighting unit needs to have a DMX address to receive the data by the controller. The address number is between 1-512.
5. The end of the DMX 512 system should be terminated to reduce signal errors.
6. 3 pin XLR connectors are more popular than 5 pins XLR. 3 pin XLR: Pin 1: GND, Pin 2: Negative signal (-), Pin 3: Positive signal (+)
- 5 pin XLR: Pin 1: GND, Pin 2: Negative signal (-), Pin 3: Positive signal (+), Pin4, Pin5 not used.

3.3.Control Panel



- 1.Display: To show the various menus and the selected function.
- 2.Button :

OK	OK confirmation key
▲	UP
▼	DOWN
◀	To the left
▶	To the right

4.How To Set The Unit

4.1.Main Function

The lamp is powered on. When the system initialization and lamp reset are completed, and the standby interface is displayed on the display screen, press OK to enter the preset menu interface. The main functions are as follows:

Main menu	I menu	II menu	III menu	Note	
DMX Address	Address	1-512			
	Channel	21CH (Default)/ 168CH /15CH			
	State	Black(Default) Hold			
	InputMode	DMX(Default) ARTNET sACN		ARTNET can only be selected when there is an ARTNET module available	
	DmxAddressLock	OFF ON (Default)			
Information	Time	Total Power Time			
		Power Time			
		Total Light Time			
		Light time			
	Temperature	Head Temp			
	Fan Info.	BaseFanVol			
		HeadFanVol1			
		HeadFanVol2			
		BaseFan1Sp			
		BaseFan2Sp			
		HeadFan1Sp			
		HeadFan2Sp			
		HeadFan3Sp			
	Fixture state	1.MCU(LED) ***			
		2.MCU(Fan) ***			
		3.BaseFan1 ***			
		4.BaseFan2 ***			
		5.BaseFan3 ***			
		6.HeadFan1 ***			
		7.HeadFan2 ***			
	8.HeadFan3 ***				
	9.HeadFan4 ***				
	RDM UID	3888: xxxxxxxx			
DMX Live	DMX				
Software	1.Display Ver. Vxxx				
	2.LED Ver. Vxxx				
	3.Fan Ver. Vxxx				
	4.ETH Ver. Vxxx			ARTNET can only be selected when an ARTNET module is present.	
Led Hz			1800Hz		
			3600Hz(Default)		
			7200Hz		
			25000Hz		

Main menu	I menu	II menu	III menu	Note	
Personal	Dimmer&Fan Setting	Fan Mode	HighOutput		
			Standard (Default)		
			Silent		
		Dimmer Mode	Normal (Default)		
			RGBMode		
			WhiteMode		
	Led Invert	OFF (Default)			
		ON			
	Display Setting	Language	EN (Default)		
			ZH		
		Disp. Backlight	OFF (Default)		
			ON		
		Disp. Direction	Forward (Default)		
			Reverse		
	Dis.Blink	OFF			
		ON (Default)			
	Ethernet Setting		IP Address	***.***.***.***	This menu can only be displayed when the artnet module is connected
Mask Address			***.***.***.***		
Universe Address			0-32767		
sACN Universe Address			1-63999		
DHCP			OFF (Default)		
			ON		
Ethernet To DMX	OFF (Default)				
	ON				
Manual Control	Channel control	1.Pan ***			
Service	Factory Reset	NO / YES	Password: 1111		
	Reset Timers	1.Total Power Time	NO / YES		
		2.Total Light Time	NO / YES		
		1.Power Time	NO / YES		
		2.Light Time	NO / YES		
	Developer				
Firmware update					
Language					
Test	Test All				
Rotate Display					

4.2.Address Setting

Enter MENU, select the DMX setting function, select the address code setting, press the OK button to confirm, the current DMX address will be displayed on the display. Use the up/down buttons to select addresses 001~512, and press the OK button to save. Press the OK button to return to the previous menu.

Please refer to the following diagram to address your DMX512 channel for the first 4 units.

Channel mode	Unit 1 Address	Unit 2 Address	Unit 3 Address	Unit 4 Address
21 CH	1	22	43	64
168 CH	1	169	337	505
15 CH	1	16	31	46

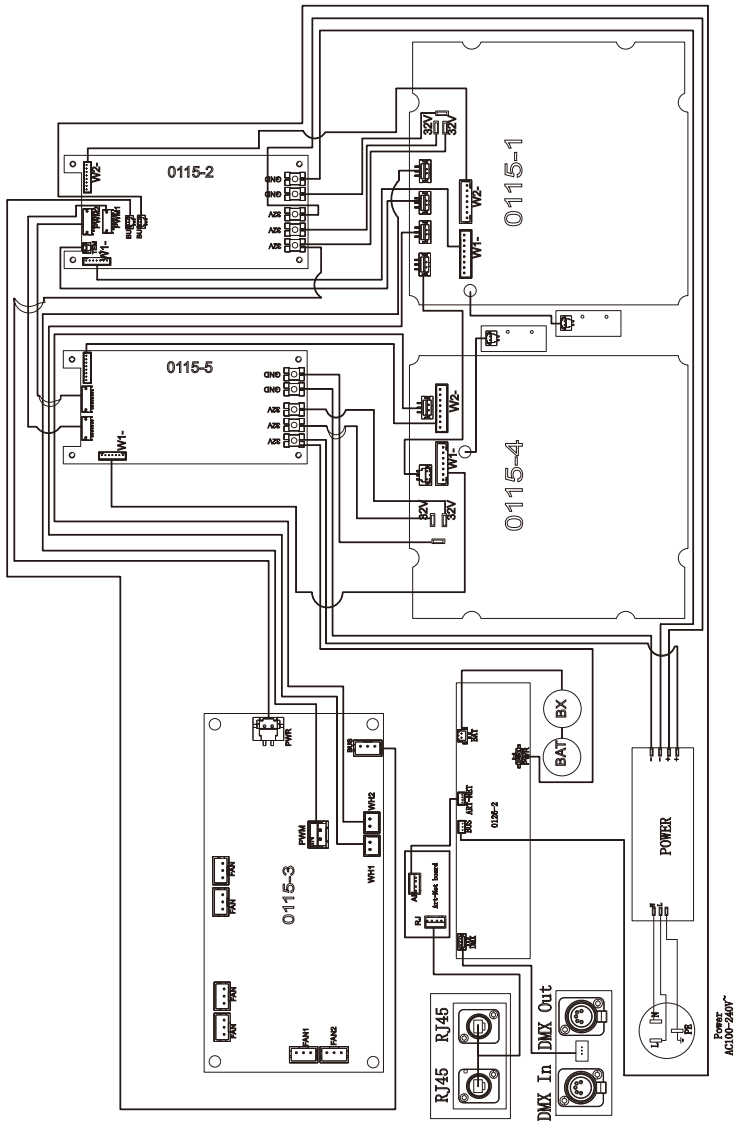
4.3.DMX 512 Configuration

21 Channel	168 Channel	DMX	Function	Note
1	1	0-255	Dimmer	
2	2	0-255	Dimmer Fine	
3	3	0-9 10-49 50-89 90-119 120-179 180-249 250-255	Strobe Strobe open Slow closing , Fast opening , slow → fast Fast closing , Slow opening , Slow → Fast Slow closing , Slow open , Slow → Fast Random strobe,Slow → Fast Synchronous strobe,slow → fast Strobe open	0.5-12HZ 0.5-12HZ 0.5-12HZ 1-25HZ 1-25HZ
4	4	0-255	RGB Dimmer	
5	\	0-255	Red 0 to 100%	
6	\	0-255	Green 0 to 100%	
7	\	0-255	Blue 0 to 100%	
\	5	0-255	Red1	
\	6	0-255	Green1	
\	7	0-255	Blue1	
\	
\	122	0-255	Red40	
\	123	0-255	Green40	
\	124	0-255	Blue40	
8	125	0-9 10-255	EffectMacro No function Effect	
9	126	0-125 126-129 130-255	EffectSpeed CW fast to slow Stop CCW slow to fast	
10	127	0-2 3-5 6-8 9-11 12-14 15-134 135-255	EffectFade No function Step Curve1 Step Curve2 Step Curve3 Step Curve4 Fade1 Fade2	
11	128	0-255	Effect Back.Dim.	
12	129	0-255	Effect Back.Red	
13	130	0-255	Effect Back.Green	
14	131	0-255	Effect Back.Blue	
15	132	0-255	WhiteDimmer	
		0-255 0-9 10-49	WhiteStrobe Strobe open Slow closing , Fast opening , slow → fast	0.5-12HZ

21 Channel	168 Channel	DMX	Function	Note
16	133	50-89	Fast closing , Slow opening , Slow → Fast	0.5-12HZ 0.5-12HZ 1-25HZ 1-25HZ
		90-119	Slow closing , Slow open , Slow → Fast	
		120-179	Random strobe,Slow → Fast	
		180-249	Synchronous strobe,slow → fast	
		250-251	Shift function to RGB strobe ch	
		252-255	Strobe open	
\	134	0-255	White1	
\	
\	163	0-255	White30	
17	164	0-9	WhiteEffectMacro No function	
		10-99	Static Effect	
		100-199	Chase Effect	
		200-255	No function	
18	165	0-125	WhiteEffectSpeed CW fast to slow	
		126-129	Stop	
		130-255	CCW slow to fast	
19	166	0-2	WhiteEffectFade No function	
		3-5	Step Curve1	
		6-8	Step Curve2	
		9-11	Step Curve3	
		12-14	Step Curve4	
		15-134	Fade1	
		135-255	Fade2	
20	167	0-255	Frost	
21	168		Function(Hold 3s)	
		0-49	No function	
		50-59	Fan Standard mode	
		60-69	Fan HighOutput mode	
		70-79	Fan Silent mode	
		80-84	Dis.Blink off	
		85-89	Dis.Blink on	
		90-94	LED Invert off	
		95-99	LED Invert on	
		100-169	No function	
		170-177	LED frequency 1.8kHz	
		178-185	LED frequency 3.6kHz	
		186-193	LED frequency 7.2kHz	
194-199	LED frequency 25kHz			
200-255	No function			

15 Channel	DMX	Function	Note
1	0-255	Dimmer	
2	0-255	No function	
3	0-255	No function	
4	0-255	No function	
5	0-255	WhiteDimmer	
6	0-255	WhiteStrobe	
	0-9	Strobe open	
	10-49	Slow closing , Fast opening , slow → fast	0.5-12HZ
	50-89	Fast closing , Slow opening , Slow → Fast	0.5-12HZ
	90-119	Slow closing , Slow open , Slow → Fast	0.5-12HZ
	120-179	Random strobe,Slow → Fast	1-25HZ
	180-249	Synchronous strobe,slow → fast	1-25HZ
250-251	Shift function to RGB strobe ch		
252-255	Strobe open		
7	0-255	White Strobe Duration	10-660ms
8	0-255	RGB Dimmer	
9	0-9	Strobe open	
	10-49	Slow closing , Fast opening , slow → fast	0.5-12HZ
	50-89	Fast closing , Slow opening , Slow → Fast	0.5-12HZ
	90-119	Slow closing , Slow open , Slow → Fast	0.5-12HZ
	120-179	Random strobe,Slow → Fast	1-25HZ
	180-249	Synchronous strobe,slow → fast	1-25HZ
	250-255	Strobe open	
10	0-255	Strobe Duration	10-660ms
11	0-255	Red 0 to 100%	
12	0-255	Green 0 to 100%	
13	0-255	Blue 0 to 100%	
14	0-2	CTC	
	3-14	No function	
	15-26	10000K	
	27-38	9500K	
	39-50	9000K	
	51-62	8500K	
	63-74	8000K	
	75-86	7500K	
	87-98	7000K	
	99-110	6500K	
	111-122	6000K	
	123-134	5600K	
	135-146	5300K	
	147-158	5000K	
	159-170	4500K	
	171-182	4000K	
	183-194	3800K	
	195-206	3500K	
	207-218	3200K	
	219-230	3000K	
231-255	2700K		
15	0-49	Function(Hold 3s)	
	50-59	No function	
	60-69	Fan Standard mode	
	70-79	Fan HighOutput mode	
	80-84	Fan Silent mode	
	85-89	Dis.Blink off	
	90-94	Dis.Blink on	
	95-99	LED Invert off	
	100-169	LED Invert on	
	170-177	No function	
	178-185	LED frequency 1.8kHz	
	186-193	LED frequency 3.6kHz	
	194-199	LED frequency 7.2kHz	
	200-255	LED frequency 25kHz	
			No function

5. Electrical Connection Diagram



6. Troubleshooting

The following are common faults of lighting fixtures and corresponding solutions. Malfunctions that cannot be repaired by oneself should be handled by personnel with professional qualifications. Before maintaining the lamp, please disconnect the power supply first.

■ LED off:

- Please check if install the suitable voltage
- Please check whether the led will reach the end of their life can explode; please replace a same description led.
- Please check if the power supply is enough.
- Please check whether the DMX 512 controller pass the "turn on" order.

■ The light couldn't accept the control order:

- Please check the start code address and the function option are correct.
- Please check whether the communicate control cable is on good connection or the cable is too long or interrupt.
- Please check the control system is not valid, check the signal amplifier of chain connected is valid.
- Please check whether the communicate cable is too long or the other equipment is mutually conjugate.
- Please arrange the wire well, shorter the signal cable, put the high voltage cable and low voltage cable separately.
- Add the signal amplify isolator.
- Signal cable is used the excellent screening doublet (Resistance 75 Ω)
- The end of the light end and the end resistance.

■ The light can't move:

- Please check if the power supply is suitable for the light voltage data.
- Please check the light if they are deformation, inside parts is broken, become wet etc will lead the loose contact.
- Please check the if the inside lead wire and the connector is loose.
- Please check the electric parts(such as the transformer,PCB board,controller) is short-circuit or burn down.

7. Fixture Cleaning

It is absolutely essential that the fixture is kept clean to ensure the maximum light-output and allow the fixture to function reliably throughout its life. The fixture must be cleaned regularly to avoid dust, dirt and smoke-fluid residues building up on or within the fixture. The cleaning frequency depends on the application environment. Clean the fixture immediately if the dust enters it to avoid damage to the optical lens due to excessive dust.

- A soft lint-free cloth moistened with any good glass cleaning fluid is recommended, under no circumstances should solvents be used.
- Always dry the parts carefully.
- Clean the external optical lens at least every 20 days .



CAUTION ! ! !

Disconnect from mains before starting maintenance operation.

8. Duty exonerative and copyright protectio

- Light source belongs to consumption products, not within the scope of warranty.
- The manufacturer shall not bear any responsibility for any damage caused by failure to operate in accordance with this instruction.
- The manufacturer reserves the right of final interpretation for all information in this manual. For any questions, please refer to the official website.
- All the information in this manual shall not be copied without permission.
- The data contained in this statement are subject to change in the future without prior notice.