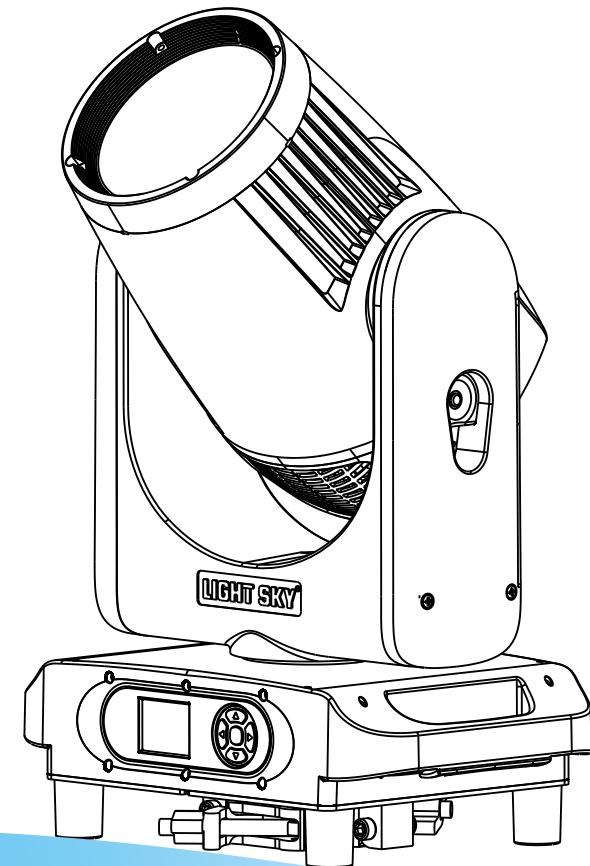


LiGHT SKY
FLY DRAGON LIGHTING EQUIPMENT CO.,LTD

MINI LASER AQUA User Manual



Web: www.lightsky.com.cn
Tel: 0086-20-61828288
Fax: 0086-20-61828188 Pc: 510820
E-mail: flydragon@lightsky.com.cn
Address: No. 4, Jingneng Road 1,
Huadu District, Guangzhou, China



LiGHT SKY



WWW.LIGHTSKY.COM.CN

Please read the instruction carefully bef!

CONTENTS

1. Safety Instructions.....	2
2. Technical Specifications	5
2.1. Attachment And Size	7
3. Color/Gobo/Prism	9
4. Connection and control	10
4.1. Power supply connection.....	10
4.2. DMX 512 Connection	11
4.3. Control Panel.....	12
5. How To Set The Unit	13
5.1. Main Function.....	13
5.2. Address Setting.....	14
5.3. DMX 512 Configuration	15
6. Electrical Connection Diagram	17
7. Troubleshooting.....	18
8. Fixture Cleaning.....	20
9. Duty exonerative and copyright protectio	20

Congratulations on choosing our company product! We thank you for your custom.

- ◆ Please keep in mind that this product, like other products of the company, adheres to the concept of people-oriented design and manufacture, and takes product quality as the foundation.
- ◆ We put the interests of customers first, and do our best to meet customer requirements.
- ◆ Please read this instruction manual carefully and keep it for future reference. In the case of fully understanding the product information, strictly abide by theUse the instruction manual to ensure that the product is installed, used and serviced correctly and safely.
- ◆ Our company is not responsible for any damage to lamps or other performance due to personal failure to follow the instructions during installation, use and maintenance.responsibility.
- ◆ Our company reserves the right to modify the manual at any time and without prior notice.

1.Safety Instructions

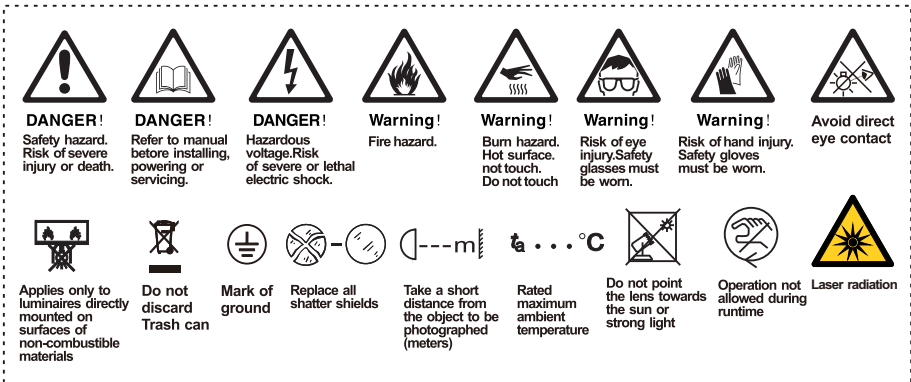


Please read the instruction carefully which includes important information about the installation, usage and maintenance.

WARNING

Please keep this User Manual for future consultation. If you sell the unit to another user, be sure that they also receive this manual.

The following symbols are used to identify important safety information on the product and in this manual:



Important:

Damages caused by the disregard of this user manual are not subject to warranty.

The dealer will not accept liability for any resulting defects or problems.

- Unpack and check carefully to ensure that there is no transportation damage before using the unit.
- Do install and operate by qualified operator.
- The light source in this luminaire should be replaced by the manufacturer or its service agent or a similarly qualified person, always cut off the power supply before replacing the light source.
- Do not allow children to operate the fixture.
- Use safety chain when fixing the unit. Handle the unit by carrying its base instead of head only.

- The unit must be installed in a location with adequate ventilation, at least 20cm from adjacent surfaces.
- Be sure that no ventilation slots is blocked, otherwise the unit will be overheated.
- Before operation, ensure that you are connecting this product to the proper voltage in accordance with the specifications in this manual or on the product's specification label.
- It's important to ground the yellow/green conductor to earth in order to avoid electric shock.
- Minimum ambient temperature Ta: -20°C. Maximum ambient temperature Ta: 45°C.
Do not operate this product at a lower or higher temperature.
- Do not connect the device to any dimmer pack.
- When the lamp is running, do not place combustible objects next to it. The shortest distance between the device and inflammable and explosive objects or materials is 0.5m.
- Make sure the power cord is not crimped or damaged; replace it immediately if damaged.
- Unit's surface temperature may reach up to 80°C. Do not touch the housing bare-handed during its operation.
- Avoid any flammable liquids, water or metal from entering the unit. Once it happens, cut off the mains power immediately.
- Do not operate in a dirty or dusty environment. Do clean the fixture regularly.
- Do not touch any wire during operation as there might be a hazard of electric shock.
- Avoid entanglement of the power cord with other wires.
- The minimum distance to objects/surface must be more than 12 meters.
- In the event of serious operating problem, stop using the unit immediately.
- Never turn on and off the unit time after time.
- The housing, the lenses, or the ultraviolet filter must be replaced if they are visibly damaged.
- Do not open the housing as there are no user serviceable parts inside.
- Do not attempt to operate this unit if it becomes damaged. Do not attempt any repairs yourself. Repairs carried out by unskilled people can lead to damage or malfunction. Please contact the nearest authorized technical assistance center if needed.
- Disconnect this product from its power source before servicing.
- Do use the original packaging if the device is to be transported.
- Avoid direct eye exposure to the light source while the product is on.

- Do not operate this product if you see damage on the housing, shields, or cables. Have the damaged parts replaced by an authorized technician at once.
- Class 1 laser products (IEC 60825-1:2014) - RG3 (IEC 62471:2006).
- **Warn!** Do not look directly at the light source at work, as it may damage the retina of the eye and cause visual blindness.
- The exposure distance of lighting fixtures to the eyes and skin should be greater than 30 meters.
- Due to the risk of skin or corneal burns, do not operate or use the light in areas where people are exposed.
- For safety reasons, operators should avoid direct irradiation of the light source of the lamp into areas, with human access before starting to control the lamp.

Installation:

The fixture should be fixed on the clamp. Always ensure that the unit is firmly fixed to avoid

vibration and slipping off during operation. Ensure that the trussing or area of installation must be able to hold 10 times the weight without any deformation. Always install a safety cable that can hold at least 12 times the weight of the fixture when installing.

Do install and operate by qualified operator. It must be installed in a place where there is out of the reach of people.

2. Technical Specifications

OPTICS

- Light source: white laser
- Laser source life expectancy: 12000 hours
(*Laser source life depends on several factors, including but not limited to: environmental conditions, control dimming, power supply and voltage, switching cycle, fixture mode, etc.)
- Beam angle: 1.1°
- Optical lens: \varnothing 128mm HD lens
- Whole lamp output illumination: 350000lux@10 meters

COLOR

- Color wheel: 12 colors+white light, bidirectional rainbow effect
- CMY: Linear CMY color correction system

EFFECT

- Fixed pattern plate: 17 patterns + white light,
- Soft light effect: independent soft light effect
- Prism: 8 prisms + 24 prisms, can be superimposed
- Dimming: 0-100% linear dimming
- Focus: High-precision electric focus

CONTROL AND PROGRAMMING

- Control channel: 17CH、19CH, see channel table for details
- Control protocol: standard DMX512 protocol, RDM protocol
- Data connection: three-core or five-core signal input/output
- Display: LCD high-definition display screen

SOFTWARE

- Upgrade software through DMX signal
- Intelligent temperature control ensures the lifespan of laser light sources
- Mute fan. three working modes(High Output /Standard /Silent)

X/Y AXIS MOVEMENT ANGLE

- X-axis: 540° 8bit / 16bit precision scanning
- Y-axis: 270° 8bit / 16bit precision scanning
- Reset function with automatic error correction
- Fixed lock: Y-axis lock

POWER

- Input voltage: AC 100-240V 50/60Hz
- Maximum power: 212W
- Power factor: 0.94
- Maximum current of the lamp: 2.14A/110V; 1.07A/220V

SIZE & WEIGHT

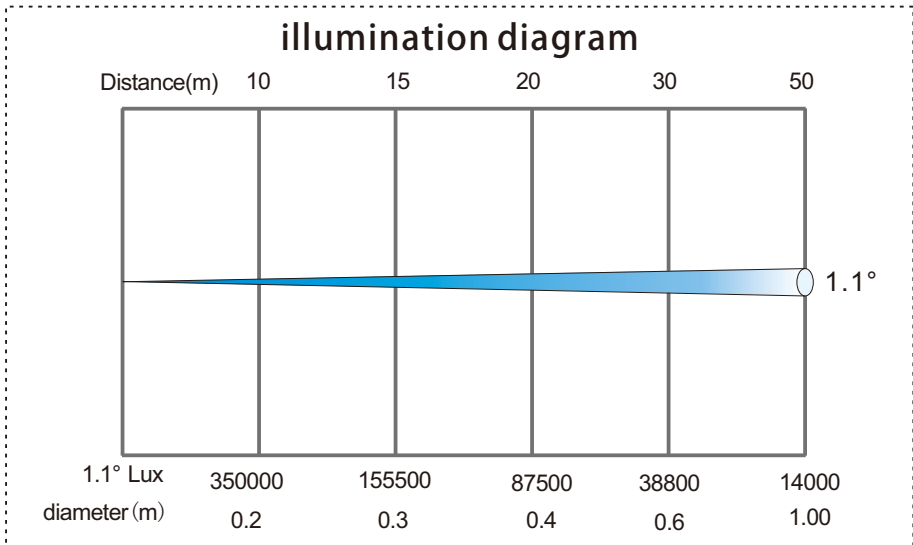
- Product size: 329×222×508mm
- Carton packaging (default): 410×290×625mm
- N.W.: 13.7kg G.W.: 17.3kg
- Flycase Size(4 sets): 850x660x725mm
- N.W.: 54.8 kg G.W.: 106.0 kg

OTHER

- Protection level: IP66
- Working environment: -20°C ~ 45°C
- Maximum temperature of lamp body surface: 80°C
- Maximum online quantity: 4 units/110V; 8 units/220V

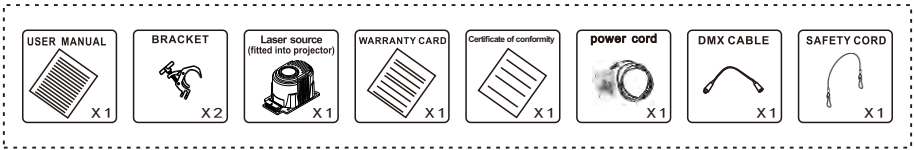
APPROVALS

- The product implementation standard: GB/T 7000.1-2023、GB/T 7000.217-2023
- Approved certifications: CE、RoHs
- The product complies with the following EU directives:
Low Voltage Directive 2014/35/EU . EMC Directive 2014/30/EU

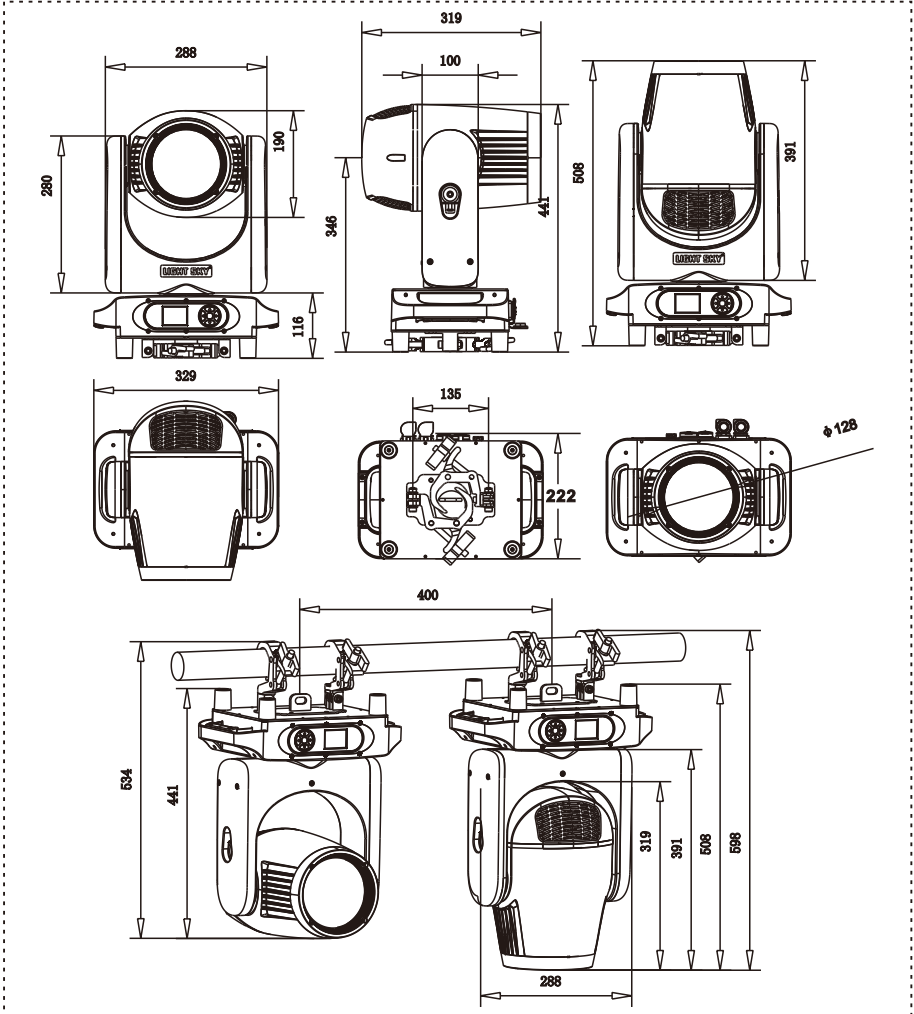


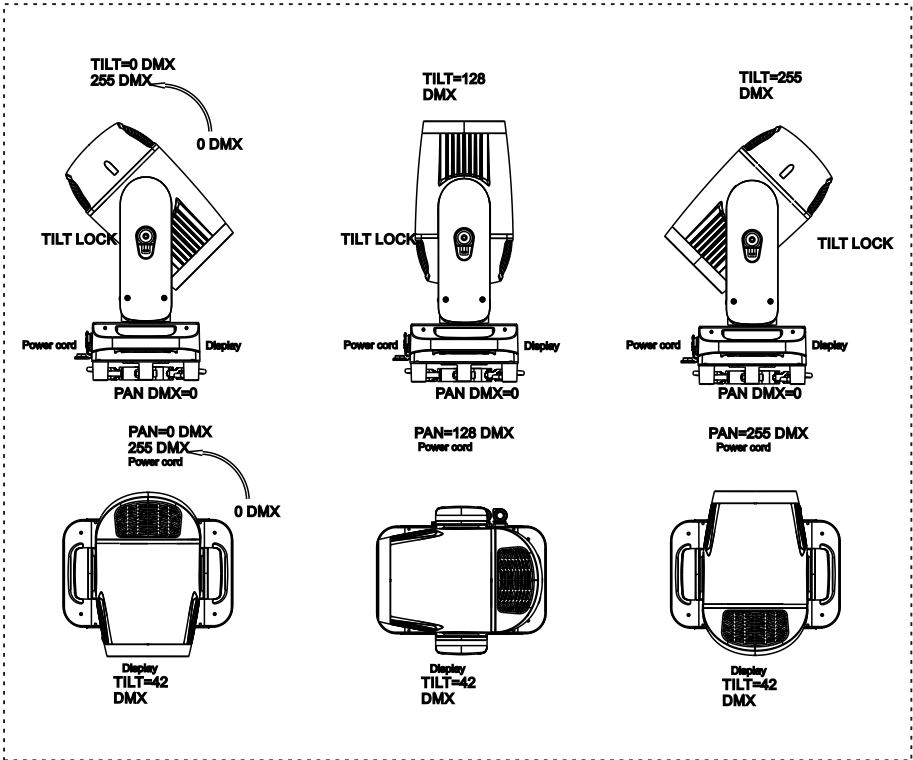
2.1.Attachment And Size

Attachment contents-Fig.1



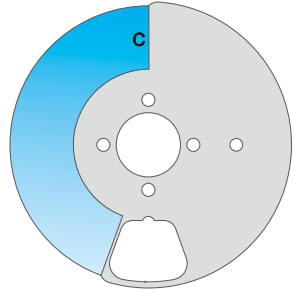
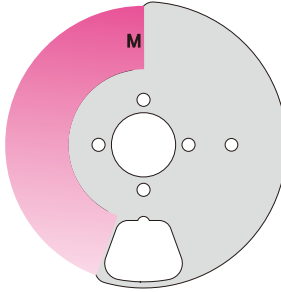
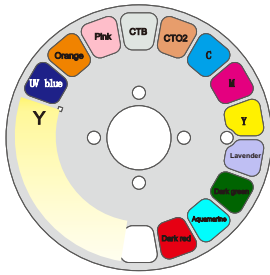
Size-Fig.2 (Unit:mm)



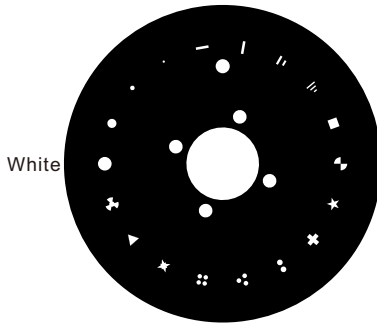


3. Color/Gobo/Prism

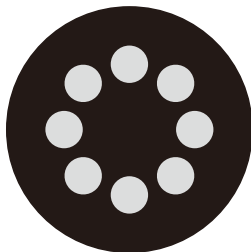
Color disk+CMY



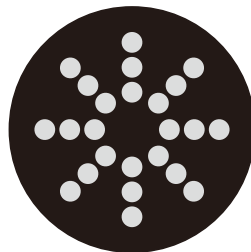
Static gobo wheel



Prism



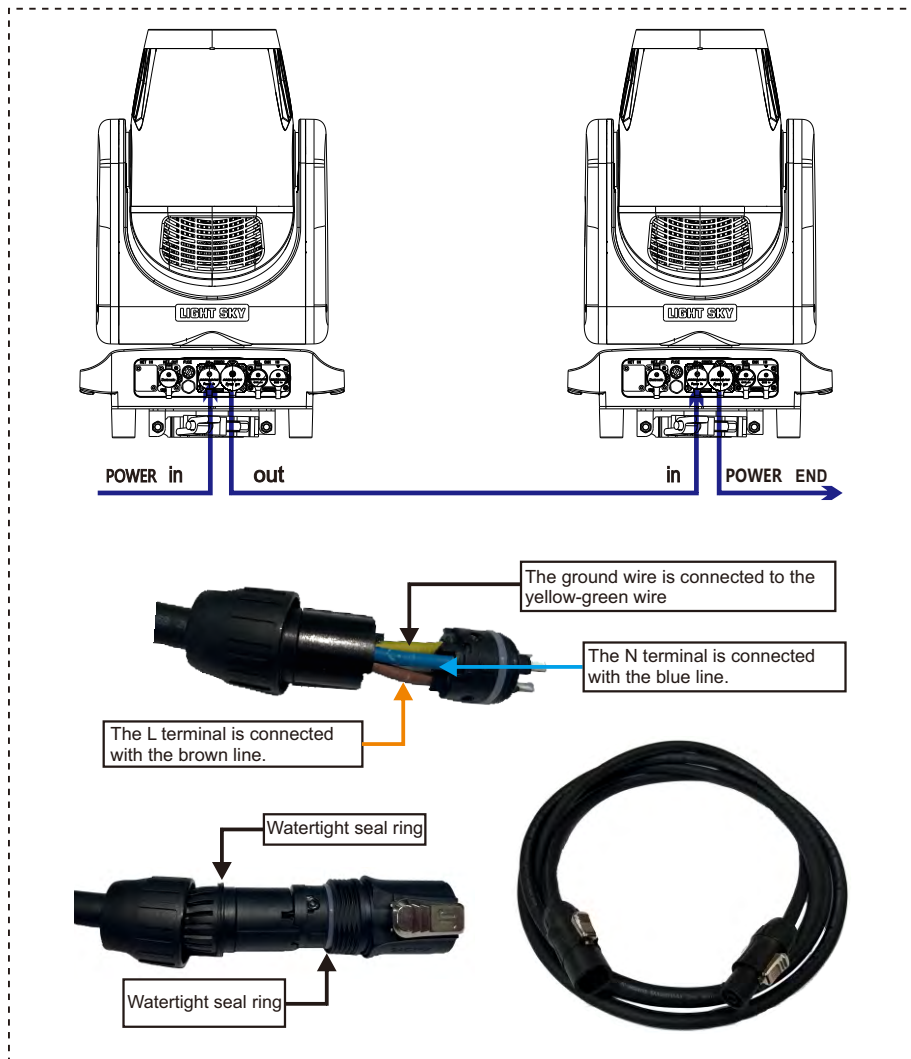
8 Prism



24 Prism

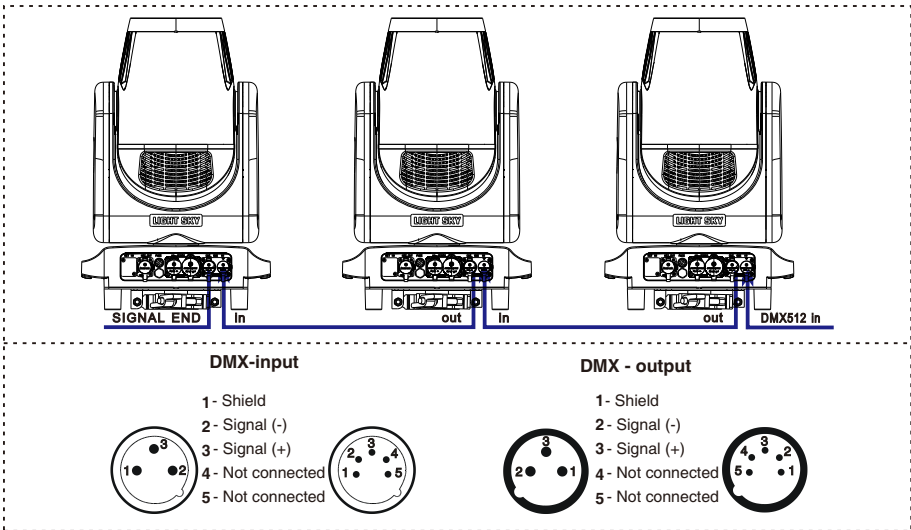
4.Connection and control

4.1.Power supply connection



- The bus connecting the power supply must be installed by a qualified professional technician.
- After completing all the above operations and ensuring that it is installed, you can power on the lamp to operate.

4.2.DMX 512 Connection



1. At last unit, the DMX cable has to be terminated with a terminator. Solder a 1200hm 1/4W resistor between pin 2(DMX-) and pin 3(DMX+) into a 3-pin XLR-plug and plug it in the DMX-output of the last unit.

2. Connect the unit together in a "daisy chain" by XLR plug cable from the output of the unit to the input of the next unit. The cable cannot be branched or split to a "Y" cable. DMX 512 is a very high-speed signal. Inadequate or damaged cables, soldered joints or corroded connectors can easily distort the signal and shut down the system.

3. The DMX output and input connectors are pass-through to maintain the DMX circuit, when one of the units' power is disconnected.

4. Each lighting unit needs to have a DMX address to receive the data by the controller. The address number is between 1-512.

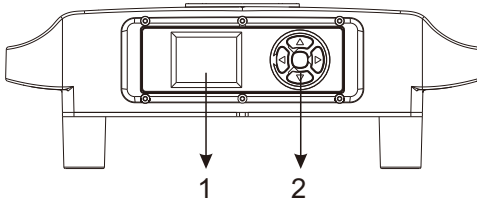
5. The end of the DMX 512 system should be terminated to reduce signal errors.

6. 3 pin XLR connectors are more popular than 5 pins XLR.

3 pin XLR: Pin 1: GND, Pin 2: Negative signal (-), Pin 3: Positive signal (+)

5 pin XLR: Pin 1: GND, Pin 2: Negative signal (-), Pin 3: Positive signal (+), Pin4, Pin5 not used.

4.3.Control Panel



1. Display: To show the various menus and the selected function.
2. Button:

OK	OK confirmation key
▲	UP
▼	DOWN
◀	To the left
▶	To the right

5.How To Set The Unit

5.1.Main Function

The lamp is powered on. When the system initialization and lamp reset are completed, and the standby interface is displayed on the display screen, press OK to enter the preset menu interface.

The main functions are as follows:

Main menu	I menu	II menu	III menu			
DMX Address	Address	1-512				
	Channel	17CH / 19CH				
	State	Black Hold				
Information	Time	Total Power Time Power Time				
	Temperature	Head Temp				
	Fan Info.		HeadFan1Vol HeadFan2Vol HeadFan1Sp HeadFan2Sp BaseFanVol BaseFan2Sp			
		Fixture state	MCU(VY)...			
		RDM UID	3888: xxxxxxxx			
		DMX Live	DMX			
		Software	Disp. Ver...			
	Personal	PanTilt Setting	Pan Invert	OFF/ON		
			Tilt Invert	OFF/ON		
			P/T Rectify	OFF/ON		
Display Setting			Language	EN /ZH		
			Disp. Backlight	OFF/ON		
			Disp. Direction	Forward / Reverse		
		Led Hz		1800Hz 3600Hz (Default) 7200Hz 25000Hz		
			Dimmer Curve		Linear Square (Default) 1-Square Scurve	
				Dimmer Speed		Snqp (Default) Fade
					Fan Mode	HighOutput Standard (Default) Silent
		Manual Control	Channel control	1.Pan *** ...		
			Reset	PanTilt Head Module All		
				Calibration	Pan	
		Service	Factory Reset	NO/YES		
			Reset Timers	Total Power Time	NO/YES	
Total Light Time	NO/YES					
Power Time	NO/YES					
Light Time	NO/YES					
Developer			1. Logo Set 2. Up Logo 3. Language 4. Fixture Type			
	Firmware update					
	Language		EN /ZH			
Test	Test PanTilt					
	Test Head Module					
	Test All					
Rotate Display						

5.2.Address Setting

Enter MENU, select the DMX setting function, select the address code setting, press the OK button to confirm, the current DMX address will be displayed on the display. Use the up/down buttons to select addresses 001~512, and press the OK button to save. Press the OK button to return to the previous menu.

Please refer to the following diagram to address your DMX512 channel for the first 4 units.

Channel mode	Unit 1 Address	Unit 2 Address	Unit 3 Address	Unit 4 Address
17 CH	1	18	35	52
19 CH	1	20	39	58

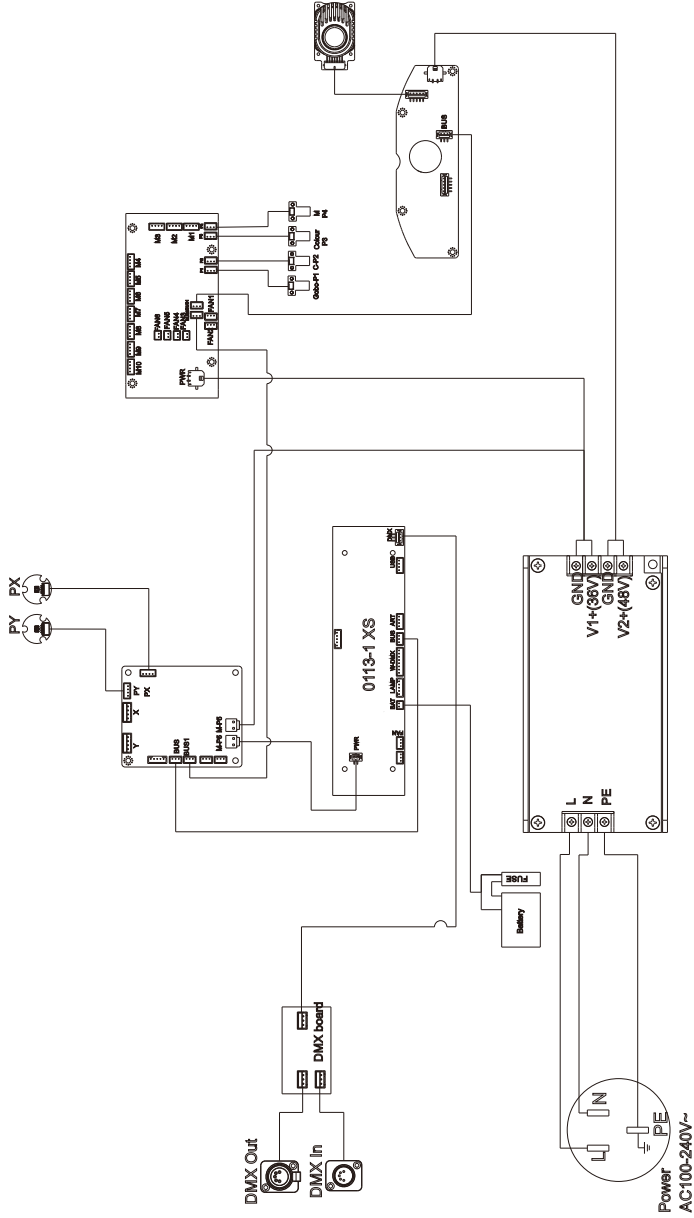
5.3.DMX 512 Configuration

Please control the fixture by referring to the configurations below

17 Channel	19 Channel	DMX	Function	Note
1	1	0-255	Pan positioning	
2	2	0-255	Fine Pan positioning	
3	3	0-255	Tilt positioning	
4	4	0-255	Fine Tilt positioning	
7	5	0-255	Speed pan/tilt	
5	6		DeviceSet(Hold 3s)	
		0-25	No function	
		26-30	Reset Head	
		31-35	Reset Pan&Tilt	
		36-40	Reset All	
		41-49	No function	
		50-59	Fan HighOutput mode	
		60-69	Fan auto speed	
		70-79	Fan slow speed	
		80-129	No function	
		130-139	Pan invert on	
		140-149	Pan invert off	
		150-159	Tilt invert on	
		160-169	Tilt invert off	
		170-177	LED frequency 1kHz	
		178-185	LED frequency 3.6kHz	
186-193	LED frequency 7.2kHz			
194-199	LED frequency 25kHz			
200-204	Dimmer curve linear			
205-209	Dimmer curve square			
210-214	Dimmer curve inv-square			
215-219	Dimmer curve "S"			
220-229	Dimmer fast			
230-239	Dimmer smooth			
240-255	No function			
6	7	0-255	Dimmer	
7	8	0-255	Dimmer Fine	
8	9		Strobe	
		0-9	Strobe closed	
		10-49	Slow closing, Fast opening, slow → fast	
		50-89	Fast closing, Slow opening, Slow → Fast	
		90-119	Slow closing, Slow open, Slow → Fast	
		120-179	Random strobe, Slow → Fast	
		180-249	Synchronous strobe, slow → fast	
250-255	Strobe open			
9	10	0-255	Cyan	
10	11	0-255	Magenta	
11	12	0-255	Yellow	
12	13		Virtual ColorWheel	
		0-5	White	
		6-15	White + Color1	
		16-25	Color1	
		26-35	Color1 + Color2	
		36-45	Color2	
		46-55	Color2 + Color3	
		56-65	Color3	
		66-75	Color3 + Color4	
		76-85	Color4	
		86-95	Color4 + Color5	
		96-105	Color5	
		106-115	Color5 + Color6	
		116-125	Color6	
		126-135	Color6 + Color7	
		136-145	Color7	
146-155	Color7 + Color8			
156-165	Color8			
166-175	Color8 + Color9			

17 Channel	19 Channel	DMX	Function	Note
		176-185 186-195 196-205 206-215 216-225 226-235 236-245 246-255	Color9 Color9 + Color10 Color10 Color10 + Color11 Color11 Color11 + Color12 Color12 Color wheel shake slow to fast	
13	14	0-8 9-11 12-14 15-17 18-20 21-23 24-26 27-29 30-32 33-35 36-38 39-41 42-44 45-47 48-50 51-53 54-56 57-59 60-63 64-67 68-71 72-75 76-79 80-83 84-87 88-91 92-95 96-99 100-103 104-107 108-111 112-115 116-119 120-123 124-127 128-190 191-192 193-255	FixgoboWheel Open FixGobo 1 FixGobo 2 FixGobo 3 FixGobo 4 FixGobo 5 FixGobo 6 FixGobo 7 FixGobo 8 FixGobo 9 FixGobo 10 FixGobo 11 FixGobo 12 FixGobo 13 FixGobo 14 FixGobo 15 FixGobo 16 FixGobo 17 RotGobo1shake,slow to fast RotGobo2shake,slow to fast RotGobo3shake,slow to fast RotGobo4shake,slow to fast RotGobo5shake,slow to fast RotGobo6shake,slow to fast RotGobo7shake,slow to fast RotGobo8shake,slow to fast RotGobo9shake,slow to fast RotGobo10shake,slow to fast RotGobo11shake,slow to fast RotGobo12shake,slow to fast RotGobo13shake,slow to fast RotGobo14shake,slow to fast RotGobo15shake,slow to fast RotGobo16shake,slow to fast RotGobo17shake,slow to fast RotGoboWheel CW fast to slow Stop RotGoboWheel CCW slow to fast	
14	15	0-63 64-127 128-191 192-255	Prism Prism out Prism1 Prism2 Prism1 + Prism2	
15	16	0-127 128-190 191-192 193-255	PrismRot Prism indexing Forwards prism rotation from fast to slow Stop Backwards prism rotation from slow to fast	
16	17	0-127 128-255	Frost Frost Out Frost In	
17	18	0-255	Focus8bit	
/	19	0-255	FocusFine16bit	

6. Electrical Connection Diagram



7. Troubleshooting

The following are common faults of lamps and corresponding solutions. Faults that cannot be repaired by yourself should be handled by professionally qualified personnel. Disconnect the power supply to the lamp during maintenance!

● The light source is not bright

- Check that a suitable light source is installed for the luminaire.
- Check whether the power supply connection of the lamp or the control switch is in poor contact.
- Check whether the light source has reached the end of its service life or is damaged, and replace it with a high-quality light source of the same specification.
- Measure whether the power supply is insufficient.
- Check whether the light source has not cooled down completely due to abnormal operation. Let the lamp cool down for more than 15 minutes to allow the light source to cool down. After returning to the normal start-up range, turn the power on again and it can be used normally.
- Check whether the DMX512 controller sends a command to turn on the light source.
- Check whether the light source and trigger circuit are disconnected or defective.
- Check whether the wiring terminals on the internal trigger are in poor contact and tighten the plug.
- Check the "Fan Speed and Voltage" in the "Basic Information" menu to see if the speed of FAN1/FAN2/FAN3 is above 500RPN. If it is below 500RPM, the light source will not light up. Replace the fan with the same specification.
- Check whether the over-temperature protection temperature switch inside the lamp is damaged. Go to the menu "Basic Information" and select "Equipment Temperature" to check - whether the temperature measuring plate shows that the temperature is too high or there is no temperature display.

● The beam appears dim and uneven

- The light source may have reached the end of its service life and does not emit enough light. Replace it with a light source of the same specification.
- Check whether there is dust accumulated in the optical part and clean it.
- Measure whether the power supply is insufficient.
- Finely adjust the screw device used to change the height of the lamp until the ideal light is achieved. Enter the menu "Service Options" and select "Calibration" to enter color and pattern adjustment, which can be adjusted to the center.

● The projected image is blurry

- Check whether the DMX512 controller channel value corresponding to the electronic focus system is suitable for the current projection distance.
- Check whether the mechanical part of the focusing system is stuck, remove the dust and add antifreeze and temperature-resistant lubricating oil.

● The light source of the lamp works intermittently

- Check whether the fan is running normally or is blocked by dust and paper debris.
- Check whether the inlet and outlet cooling air vents are blocked by dust.
- Check whether the lamp has reached the end of its service life.

- Check whether the power supply is insufficient, and whether the power switch and wiring are in poor contact or aging.

- Check whether the over-temperature protection temperature switch inside the lamp is damaged.

- **Although it emits light, the lamp does not accept instructions from the controller**

- Check whether the digital start address value and function options of the lamp are correct.

- Check whether the connection of the communication control line is correct. The communication line is too long or has been interrupted.

- Check whether the control equipment fails and whether the signal amplifier connected in series fails.

- Check whether the communication line is too long or if other devices interfere with each other.

- Optimize wiring, shorten the length of control signal lines, and route high-voltage and low-voltage lines separately

- Add signal amplifier isolator.

- The signal line is made of high-quality shielded twisted pair (impedance characteristic is 75Ω), and the signal terminal resistor is connected at the end of the lamp.

- Check that the circuit board communication IC or CPU is burned out because the bulb performs an abnormal operation when it is not completely cooled, causing the instantaneous ultra-high voltage leakage generated by the trigger, and replace the PCB board.

- **The lamp cannot be started**

- Check whether the power supply parameters match the lamps.

- Check whether the fuse at the light fixture's power input is blown.

- Check that the lamp has poor contact or falls off due to extrusion deformation, vibration of internal parts, moisture, etc. during long-distance transportation.

- Check whether the internal wires and connectors of the lamp are desoldered or loose.

- Check whether the electrical components of the lamp (such as power switch, transformer, ballast, capacitor, varistor, filter, power supply PCB board, motor control PCB board, etc.) are loose, short-circuited, burned out, etc.

- **Some functions of the lamp cannot accept controller instructions**

- Check whether the control device sends correct action instructions for these functions.

- Check whether the mechanical parts corresponding to these functions are loose or deformed.

- Check whether the motor sockets corresponding to these functions are loose or the corresponding driver chips are burned out.

- Check whether the motor wires corresponding to these functions are broken at the corners.

- Check whether the motors corresponding to these functions are damaged.

- **During operation, the x or Y direction of the lamp does not move normally**

- Click the previous step to check one by one.

- Check whether the corresponding drive belts in the X and Y directions of the lamp are detached or broken.

- Check whether the data feedback receiver (photoelectric sensor) corresponding to the X and Y directions in the lamp is damaged.

- Restart the computer and reset it once.

8. Fixture Cleaning

It is absolutely essential that the fixture is kept clean to ensure the maximum light-output and allow the fixture to function reliably throughout its life. The fixture must be cleaned regularly to avoid dust, dirt and smoke-fluid residues building up on or within the fixture. The cleaning frequency depends on the application environment. Clean the fixture immediately if the dust enters it to avoid damage to the optical lens due to excessive dust.

- * A soft lint-free cloth moistened with any good glass cleaning fluid is recommended, under no circumstances should solvents be used.
- * Always dry the parts carefully.
- * Clean the external optical lens at least every 20 days and the internal optical lens every 30 days.

CAUTION ! ! !

Disconnect from mains before starting maintenance operation.

9. Duty exonerative and copyright protectio

- * The manufacturer shall not bear any responsibility for any damage caused by failure to operate in accordance with this instruction.
- * All the information in this manual shall be interpreted by the manufacturer.
- * All the information in this manual shall not be copied without permission.
- * The data contained in this statement are subject to change in the future without prior notice.