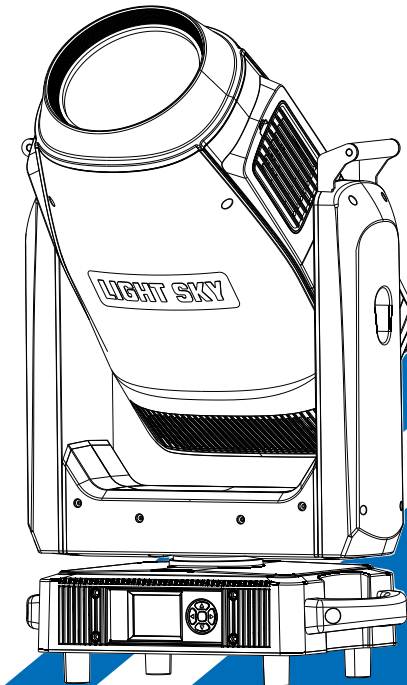


# LIGHT SKY<sup>®</sup>

FLY DRAGON LIGHTING EQUIPMENT CO.,LTD

## HS880 LED Profile



## LIGHT SKY<sup>®</sup>

Tel:0086-20-61828288

Fax:0086-20-61828188 Pc:510800

Web:www.lightsky.com.cn

E-mail: flydragon@lightsky.com.cn

asia@lightsky.com.cn

asia01@lightsky.com.cn

india@lightsky.com.cn

europa@lightsky.com.cn

latinamerica@lightsky.com.cn

middle-east@lightsky.com.cn

american@lightsky.com.cn

Address: No. 43, Yunfeng Road, Xiuquan Street,  
Huadu District, Guangzhou, China



**LIGHT SKY<sup>®</sup>**



WWW.LIGHTSKY.COM.CN

## User Manual

Please read the instruction carefully before use

## CONTENTS

1、 Safety Instructions.....	2
2、 Technical Specifications .....	5
2.1、 Attachment And Size.....	8
3、 Color/pattern .....	9
3.1、 Replacing Rotating Gobos .....	10
4、 Control Panel.....	13
5、 Connection and control.....	14
5.1、 Power supply connection .....	14
5.2、 DMX 512 Connection .....	15
6、 How To Set The Unit .....	16
6.1、 Main Function .....	16
6.2、 Channel Setting .....	24
6.3、 Address Setting.....	24
6.4、 DMX 512 Configuration.....	25
7、 Electrical Connection Diagram .....	30
8、 Error Information.....	31
9、 Troubleshooting.....	37
10、 Fixture Cleaning.....	38
11、 Duty exonerative and copyright protectio.....	38

**Congratulations on choosing our company product! We thank you for your custom.**

◆Please note that this product, as all the others in the rich my company range, has been designed and made with total quality to ensure excellent performance and best meet your expectations and requirements.

◆Carefully read this user manual in its entirety and keep it safe for future reference. It is essential to know the information and comply with the instructions given in this manual to ensure the fitting is installed, used and serviced correctly and safely.

◆My company disclaims all liability for damage to the fitting or to other property or persons deriving from installation, use and maintenance that have not been carried out in conformity with this user manual, which must always accompany the fitting.

◆My company reserves the right to modify the characteristics stated in this user manual at any time and without prior notice.

## 1.Safety Instructions



Please read the instruction carefully which includes important information about the installation, usage and maintenance.

### WARNING

Please keep this User Manual for future consultation. If you sell the unit to another user, be sure that they also receive this manual.

The following symbols are used to identify important safety information on the product and in this manual:

<b>DANGER!</b> Safety hazard. Risk of severe injury or death.	<b>DANGER!</b> Refer to manual before installing, powering or servicing.	<b>DANGER!</b> Hazardous voltage.Risk of severe or lethal electric shock.	<b>Warning!</b> Fire hazard.	<b>Warning!</b> Burn hazard. Hot surface. Not touch. Do not touch	<b>Warning!</b> Risk of eye injury.Safety glasses must be worn.	<b>Warning!</b> Risk of hand injury. Safety gloves must be worn.	Avoid direct eye contact	
Applies only to luminaires directly mounted on surfaces of non-combustible materials	Do not discard Trash can	Mark of ground	Replace all shatter shields	Take a short distance from the object to be photographed (meters)	Rated maximum ambient temperature	Indoor use only	Do not point the lens towards the sun or strong light	Operation not allowed during runtime

### Important:

**Damages caused by the disregard of this user manual are not subject to warranty.**

**The dealer will not accept liability for any resulting defects or problems.**

- ▶ Unpack and check carefully to ensure that there is no transportation damage before using the unit.
- ▶ This product is for indoor use only. Use only in a dry location.
- ▶ Do install and operate by qualified operator.
- ▶ The light source in this luminaire should be replaced by the manufacturer or its service agent or a similarly qualified person, always cut off the power supply before replacing he light source.
- ▶ Do not allow children to operate the fixture.

- ▶ The unit must be installed in a location with adequate ventilation, at least 20cm from adjacent surfaces.
- ▶ Be sure that no ventilation slots is blocked, otherwise the unit will be overheated.
- ▶ Before operation, ensure that you are connecting this product to the proper voltage in accordance with the specifications in this manual or on the product's specification label.
- ▶ It's important to ground the yellow/green conductor to earth in order to avoid electric shock.
- ▶ Minimum ambient temperature Ta: 0°C. Maximum ambient temperature Ta: 40°C.  
Do not operate this product at a lower or higher temperature.
- ▶ Do not connect the device to any dimmer pack.
- ▶ When the lamp is running, do not place combustible objects next to it. The shortest distance between the device and inflammable and explosive objects or materials is 0.5m.
- ▶ Make sure the power cord is not crimped or damaged; replace it immediately if damaged.
- ▶ Unit's surface temperature may reach up to 80°C. Do not touch the housing bare-handed during its operation.
- ▶ Avoid any flammable liquids, water or metal from entering the unit. Once it happens, cut off the mains power immediately.
- ▶ Do not operate in a dirty or dusty environment. Do clean the fixture regularly.
- ▶ Do not touch any wire during operation as there might be a hazard of electric shock.
- ▶ Avoid entanglement of the power cord with other wires.
- ▶ The minimum distance to objects/surface must be more than 3 meters.
- ▶ In the event of serious operating problem, stop using the unit immediately.
- ▶ Never turn on and off the unit time after time.
- ▶ The housing, the lenses, or the ultraviolet filter must be replaced if they are visibly damaged.
- ▶ Do not open the housing as there are no user serviceable parts inside.
- ▶ Do not attempt to operate this unit if it becomes damaged. Do not attempt any repairs yourself. Repairs carried out by unskilled people can lead to damage or malfunction. Please contact the nearest authorized technical assistance center if needed.
- ▶ Disconnect this product from its power source before servicing.
- ▶ Do use the original packaging if the device is to be transported.
- ▶ Avoid direct eye exposure to the light source while the product is on.

- ▶ Do not operate this product if you see damage on the housing, shields, or cables.  
Have the damaged parts replaced by an authorized technician at once.

**Installation:**

The fixture should be fixed on the clamp. Always ensure that the unit is firmly fixed to avoid vibration and slipping off during operation. Ensure that the trussing or area of installation must be able to hold 10 times the weight without any deformation. Always install a safety cable that can hold at least 12 times the weight of the fixture when installing.

Do install and operate by qualified operator. It must be installed in a place where there is out of the reach of people.

## 2. Technical Specifications

### OPTICS

- Light source: 880W white LED module
- Zoom range: 5.5° -52°
- Optical lens: coated with high anti-reflection film, diameter 180mm
- Color temperature: 6800 K
- Color rendering index: RA≥71
- Total light output flux: 40800 Lm

### COLOR

- CMY infinite color mixing
- CTO color temperature linear adjustment (2800K-6800K).
- 6 color chips+white light, can achieve bidirectional color rainbow, dual color step gradient (linear movement), color wheel bidirectional rotation, random color mode

### PATTERN

- 2 rotating gobo wheels, 14 glass gobo pieces, the overlay effect is full of dynamics, pluggable and replaceable, and can realize the effects of rotation, flowing water and shaking.
- Rotary disk A: 7 kinds of glass patterns + white circle, the outer diameter of the gobo is 26.9mm, and the inner diameter of the gobo is 21.5mm.
- Rotary disc B: 7 kinds of glass patterns + white circle, the outer diameter of the gobo is 26.9mm, and the inner diameter of the gobo is 21.5mm.
- Dynamic effect plate
- Eight-way cutting: 4 gratings to achieve fast and smooth cutting, eight cutting directions and angles can be controlled separately, each single piece can achieve complete light closure, The whole cutting module can be rotated by  $\pm 55^\circ$ .

### EFFECT

- Four prisms + four rows of mirrors, can rotate in two directions, can be switched independently, can be superimposed
- Heavy atomization + light atomization, can be switched independently, can be superimposed
- With electric aperture, 5-100% linear adjustment, with macro function multi effect change

- Electronic dimming, 0-100% linear dimming, uniform spot
- Electronic strobe speed is 1-25 times/S
- LED refresh frequency: 1000Hz ~ 25KHz

## **CONTROL AND PROGRAMMING**

- Control channels: 43CH, 55CH
- Protocol: Standard DMX512 protocol, RDM protocol, Art-Net (optional)
- Data connection: three or five core signal input/output
- RJ45 interface (optional)
- Display: LCD screen

## **SOFTWARE**

- Upgrade software via DMX signal or USB interface
- Silent fan, three operating modes (highlight/mute/super mute)
- Intelligent temperature control to ensure LED life

## **X/Y ANGLE OF MOTION**

- X-axis: 540° 8bit/16bit precision scan
- Y-axis: 270° 8bit/16bit precision scan

## **POWER**

- Input voltage: AC 100-240V 50/60Hz
- Maximum power: 1280W
- Power factor: 0.996

## **SIZE & WEIGHT**

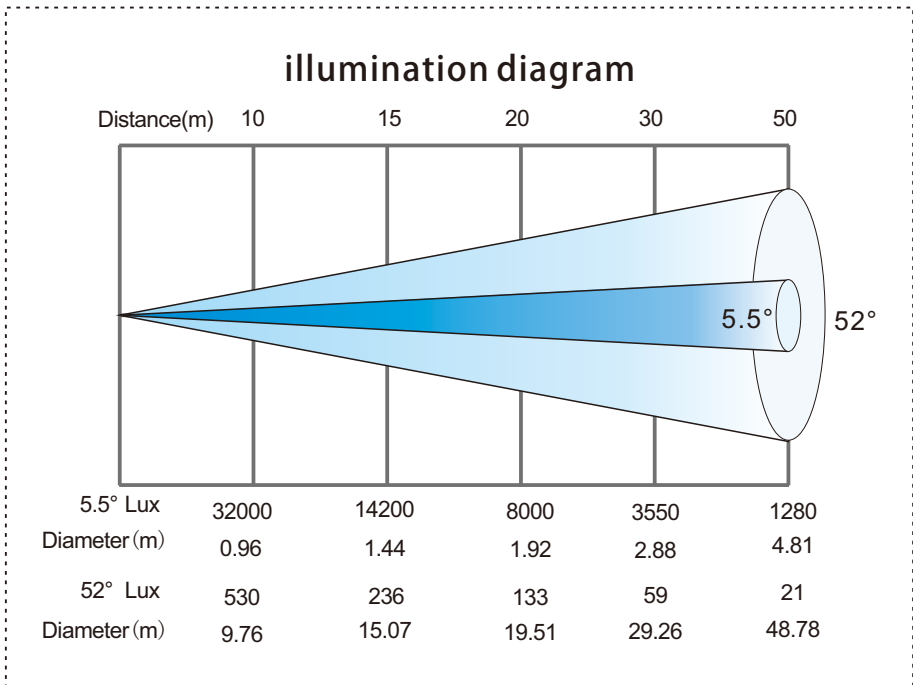
- Lighting Size : 442mm×258mm×788mm
- Box Size : 520mm×370mm×870mm
- N.W.: 37.5kg , G.W.: 42.6kg
- Flycase Size (1 set): 660X520X840mm
- N.W.: 37.5kg , G.W.: 71.0kg

## OTHERS

- IP rate : IP20
- Working Ambient : 0°C~ 40 °C
- Maximum temperature of lamp body surface: 80 °C
- Maximum current of luminaire: 6.4A/220V; 12.8A/110V

## STANDARDS AND CERTIFICATION

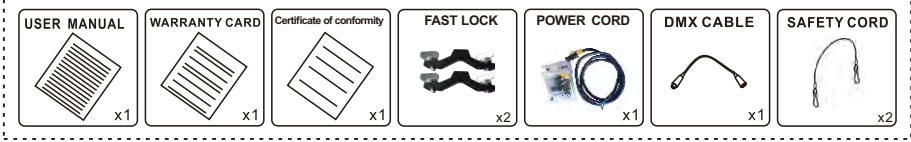
- The product implementation standard: GB 7000.1-2015 GB7000. 217-2008
- Approved certifications: CE、RoHs
- The product complies with the following EU directives:  
Low Voltage Directive 2014/35/EU . EMC Directive 2014/30/EU



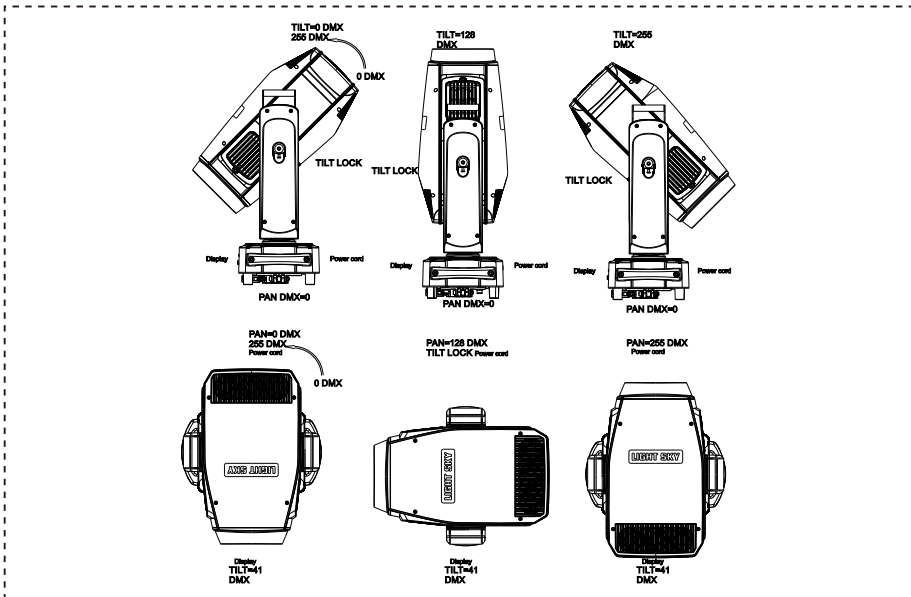
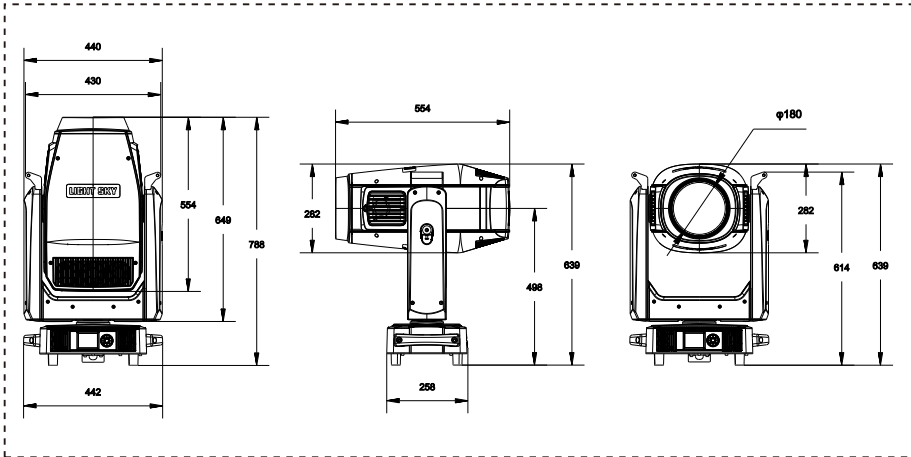


## 2.1.Attachment And Size

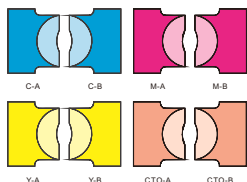
Attachment contents-Fig.1



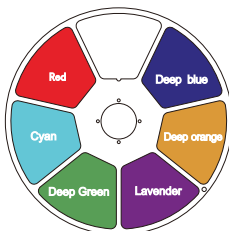
Size-Fig.2



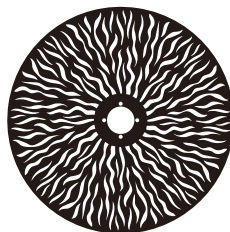
### 3.Color/pattern



CMY



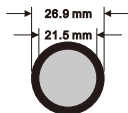
Color plate



Effect disc

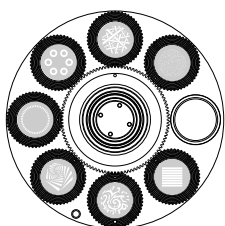


Rotating gobo wheel A

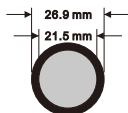


Rotation Gobo Size

Drawing Number	Part Number
FG2073B	C0700780008
FG2064D	C0700780016
FG1630B	C0700780010
FG2101B	C0700780011
FG2071B	C0700780012
FG2102B	C0700780013
FG2105B	C0700780014



Rotating gobo wheel B



Rotation Gobo Size

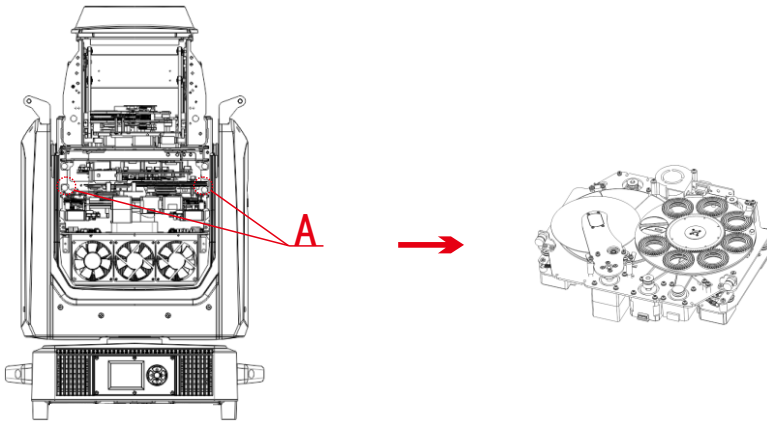
Drawing Number	Part Number
FG2171A	C0700780017
FG2318	C0700780018
FG2319	C0700780019
FG2320	C0700780020
FG2233A	C0700780021
FG2234A	C0700780022
FG2236A	C0700780023

### **DANGER!**

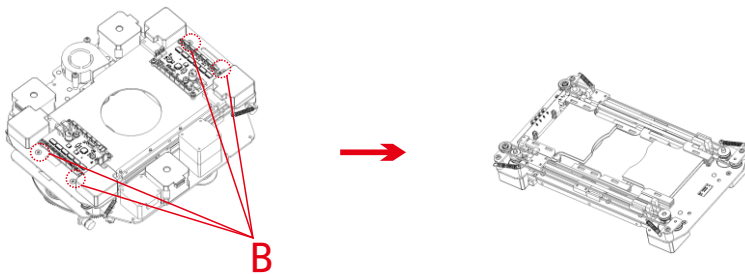
Install the rotating gobos with the device switched off only.  
Unplug from mains before changing the rotating gobos!

### 3.1.Replacing Rotating Gobos

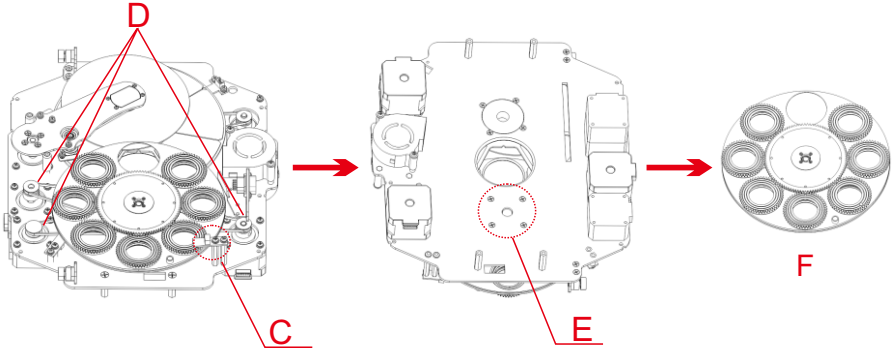
1. Use a screwdriver to unscrew the two screws at **A** to take out the pattern color module assembly;



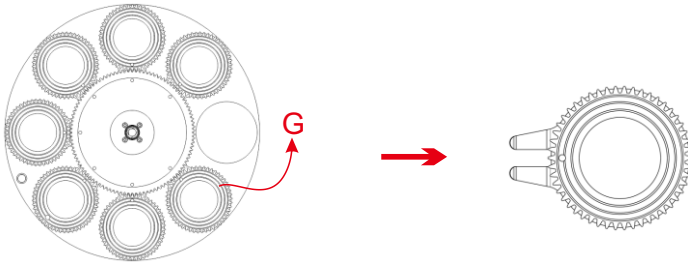
2. Reverse the assembly, and use a screwdriver to unscrew the four screws at **B** to separate the pattern color module from the CMY module;



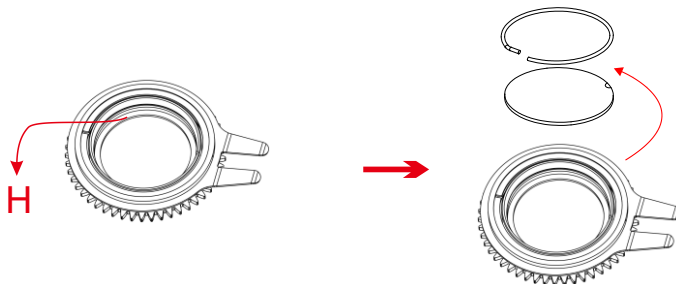
3. Use a screwdriver from the front of the pattern module to unscrew the two screws of the magnetic induction board at **C**, and remove the magnetic induction board; then half loosen the screws on the three motors at **D**, move the motor and take off the belt; turn the pattern module back Come here, unscrew the four screws at **E** with a screwdriver, and you can take out the rotating gobo and fixed gobo assembly (as shown in Figure **F**, the front is the rotating gobo, and the back is the fixed gobo)



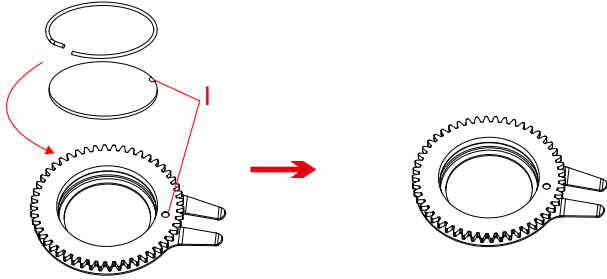
4. As shown in **G**, gently lift the gobo driven wheel from the edge upwards from the back of the gobo wheel and pull it out slowly to take out a single gobo;



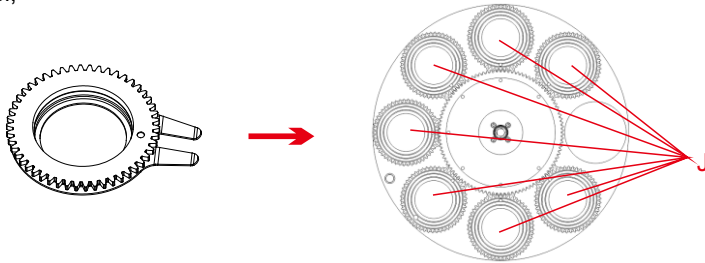
5. Take out the circlip at **H** with tweezers or other small objects that can be held (if the gobo is coated with glass glue for fixing, please use a professional cleaning agent to remove the glass glue and then take out the circlip to avoid damage to the gobo);



6. When assembling the gobo, avoid touching the gobo directly with your hands, and as shown in I, align the notched part of the gobo with the depression of the driven wheel assembly (the coating surface of the gobo should face the light source);

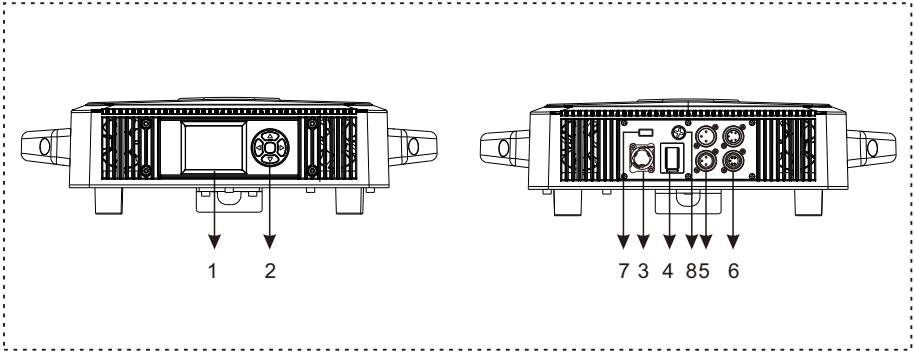


7. Insert the gobo driven wheel into the driving wheel assembly, as shown in J, the concave point of the gobo driven wheel must be positioned towards the center of the driving wheel;



8. After installation, put the component back to the fixture.

## 4. Control Panel



1. Display: To show the various menus and the selected function

2. Button:

●	OK confirmation key
▲	UP
▼	DOWN
◀	To the left
▶	To the right

3. Socket version power input: connect the power supply.

4. Power switch: To turn on/of f the power.

5. DMX input/output: Used for DMX512 connection, use 3 core XLR signal cable to connect console and lamps, And input/output DMX signal.

6. DMX input/output: Used for DMX512 connection, use 5 core XLR signal cable to connect console and lamps, And input/output DMX signal.

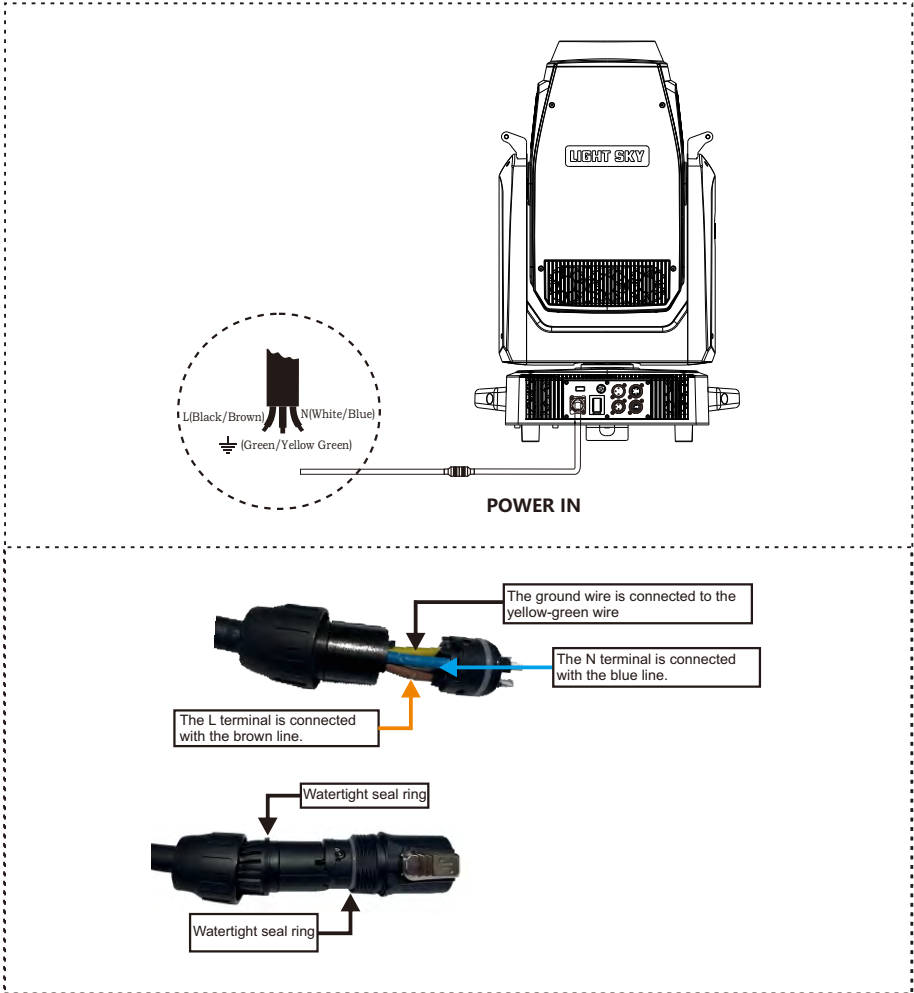
7. Firmware upgrade: Used to upgrade the fixture's firmware.

8. Fuse holder: Used for the bottom box battery pack power supply display board

when not powered on. (Note: In the case of air transportation, the lighting fixtures will require disassembly of fuses for shipment, and they must be installed by themselves upon receipt.)

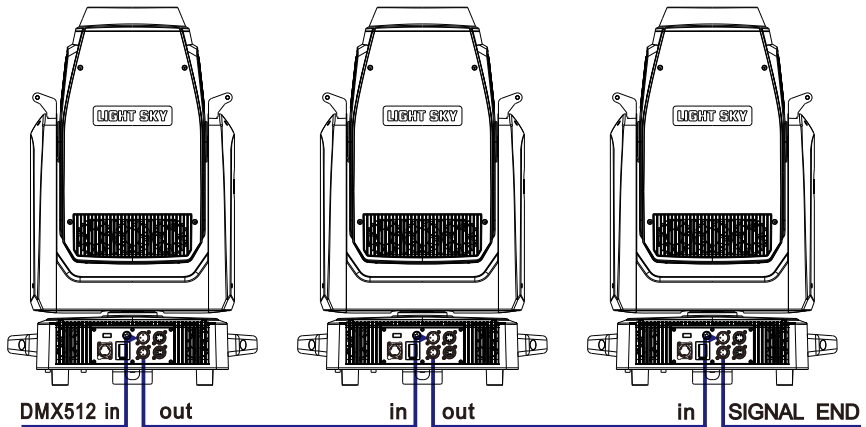
## 5.Connection and control

### 5.1.Power supply connection

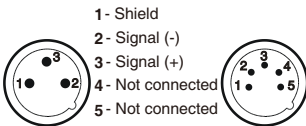


- The bus connecting the power supply must be installed by a qualified professional technician.
- After completing all the above operations and ensuring that it is installed, you can power on the lamp to operate.

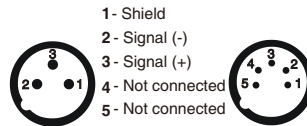
## 5.2.DMX 512 Connection



### DMX-input



### DMX - output



1. At last unit, the DMX cable has to be terminated with a terminator. Solder a 1200hm 1/4W resistor between pin 2(DMX-) and pin 3(DMX+) into a 3-pin XLR-plug and plug it in the DMX-output of the last unit.
  2. Connect the unit together in a "daisy chain" by XLR plug cable from the output of the unit to the input of the next unit. The cable cannot be branched or split to a "Y" cable. DMX 512 is a very high-speed signal. Inadequate or damaged cables, soldered joints or corroded connectors can easily distort the signal and shut down the system.
  3. The DMX output and input connectors are pass-through to maintain the DMX circuit, when one of the units' power is disconnected.
  4. Each lighting unit needs to have a DMX address to receive the data by the controller. The address number is between 1-512.
  5. The end of the DMX 512 system should be terminated to reduce signal errors.
  6. 3 pin XLR connectors are more popular than 5 pins XLR.
- 3 pin XLR: Pin 1: GND, Pin 2: Negative signal (-), Pin 3: Positive signal (+)
- 5 pin XLR: Pin 1: GND, Pin 2: Negative signal (-), Pin 3: Positive signal (+), Pin4, Pin5 not used.



## 6.How To Set The Unit

### 6.1.Main Function

#### ● SETTINGS

Enter the MENU mode, select the setting function, press the OK button to confirm, use the up/down button to select: address code, channel mode, input mode.

##### **Address code:**

Select the DMX address, press the OK button to confirm, and the current DMX address will be displayed on the display. Use the left/right button to select 001~512 address, press the OK button to save. Press the left/right button to return to the previous menu.

##### **Channel mode:**

Select channel mode, press OK button to confirm, use up/down button to select channel mode: standard mode, extended mode, press OK button to save. Press the left/right button to return to the previous menu.

##### **Input mode:**

Select input mode, press OK button to confirm, use up/down button to select input mode: DMX512, press OK button to save. Press the left/right button to return to the previous menu.

#### ● DEVICE INFORMATION

Enter the MENU mode, select the device information function, press the OK button to confirm, use the up/down button to select: device time, device temperature, RDM information, device channel, version information, fan information.

##### **Device time:**

Select the device time, press the OK button to confirm, you can view the device: power-on time, lighting time, total time. Press the left/right button to return to the previous menu.

##### **Device temperature:**

Select the device temperature, press the OK button to confirm, you can view the device: LED temperature, driver board temperature. Press the left/right button to return to the previous menu.

##### **RDM information:**

Select RDM information, press the OK button to confirm, and you can view the device: UID. Press the left/right button to return to the previous menu.

##### **Device channel:**

Select the device channel, press the OK button to confirm, use the up and down keys to view the channel in the current channel mode of the device, and press the left/right button to return to the previous menu.

### **Version Information:**

Select the version information, press the OK button to confirm, and use the up and down keys to view the PCB version of the device: display board, XY board, CMY module, pattern module, cutting board 1, cutting board 2, scaling module, light source fan driver board, bottom fan board, etc. information. Press the left/right button to return to the previous menu

### **Fan information:**

Select the fan information, press the OK button to confirm, use the up and down keys to view the equipment: tail inlet fan, tail outlet fan, pattern fan, cutting fan, focus fan, bottom box fan 1, bottom box fan 2, tail inlet fan 1, tail fan Inlet fan 2, tail inlet fan 3, tail outlet fan 1, tail outlet fan 2, tail outlet fan 3, cutting fan, CMY fan, pattern fan, focusing fan 1, focusing fan 2 and other fan operation information. Press the OK button to return to the previous menu.

## **● PERSONALIZATION**

Enter the MENU mode, select the Personality setting function, press the OK button to confirm, use the up/down button to select: XY axis, noise mode, display setting, dimming curve, Led frequency setting, zoom reverse setting.

### **XY axis:**

Select the XY axis, press the OK button to confirm, you can use the up and down keys to select: XY exchange, X axis reverse, Y axis reverse, press the OK key to enter the next menu, select: on/off, press the OK key to confirm and exit, Then press the left/right button to return to the previous menu.

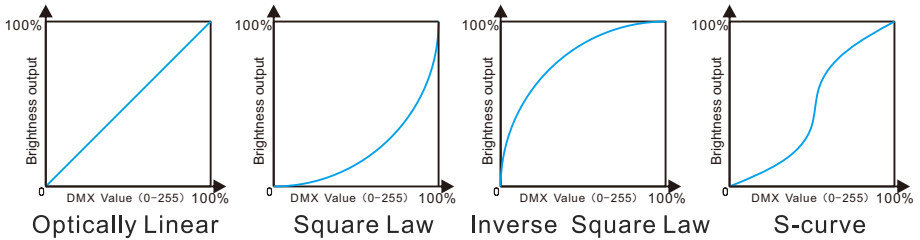
### **Noise pattern:**

Select the noise mode, press the OK button to confirm, you can use the up and down keys to select: ultra-quiet mode, silent mode, highlight mode (default), and then press the left/right button to return to the previous menu.

### **Display setting:**

Select display settings, press the OK button to confirm, you can use the up and down keys to select: language selection, backlight time, backlight adjustment, screen rotation, press the OK button to enter the next menu. Select language selection, use the up and down keys to select: Chinese/English, press the OK key to confirm and exit; select the backlight time (the screen backlight time can be adjusted), use the up and down keys to select: constant light/automatic 30S, press the OK key to confirm and exit; select Backlight adjustment (screen brightness can be adjusted): Press the left and right keys to select any value between 0 and 100, press the OK key to confirm and exit; select screen rotation, use the up and down keys to select: normal / rotate 180° / automatic, press the OK key to confirm and exit; then press the left/right button to return to the previous menu.

## Dimmer Modes



### **LED frequency setting:**

Select the Led frequency setting, press the OK button to confirm, you can use the up and down keys to select: 1000 Hz, 3600 Hz, 7200 Hz, 25000 Hz, press the OK key to confirm, and then press the left/right button to return to the previous menu.

### **Zoom inverse settings:**

Select zoom reverse setting, press the OK button to confirm, you can use the up and down keys to select: off, on, press the OK key to confirm, and then press the left/right button to return to the previous menu.

## ● **MANUAL**

Enter the MENU mode, select the manual function, press the middle square button to confirm, use the up/down button to select: manual control, reset.

### **Manual control:**

Select manual control, press the OK button to confirm entry, you can use the up and down keys to select each channel, press the left and right keys to adjust the value of the selected channel, and then press the OK button to return to the previous menu.

### **Reset:**

Select reset, press the OK button to confirm, you can use the up and down keys to select: machine reset, XY reset, pattern reset, color reset, cutting reset, focus reset, effect disk reset, press the OK button to confirm, then press the left/right button to return Go to the previous menu.

## ● Test equipment

Enter the MENU mode, select the Test Equipment function, press the middle square button to confirm, use the up/down button to select: All Test, XY Test, Head Test.

### All tests:

Select all tests, press the OK button to confirm, each function of the whole machine will start automatic testing, then press the left/right button to return to the previous menu.

### XY test:

Select XY test, press the OK button to confirm, the XY axis function of the whole machine will start automatic testing, then press the left/right button to return to the previous menu.

### Head test:

Select the head test, press the OK button to confirm, each function of the lamp head of the whole machine will start an automatic test, and then press the left/right button to return to the previous menu.

## ● SERVICE OPTIONS

Enter the MENU mode, select the service option function, press the OK button to confirm, use the up/down button to select: light status, calibration, factory settings.

### Lamp status:

Select the lamp status, press the up and down keys to select, press the OK button to confirm, you can see: memory chip, angle sensor, horizontal encoder, vertical encoder, horizontal, vertical, cyan, magenta, yellow, color temperature reduction, color wheel, pattern 1. Pattern 1 rotation, pattern 2, pattern 2 rotation, prism 1, prism 2, prism rotation, cutting rotation, scaling, focusing and other functions running status and error records, then press the left/right button to return to the previous menu .

### Calibration:

Select calibration, press the up and down keys to select, press the OK button to confirm, you can fine-tune the position of the following functions from 0 to 255 (default 128): horizontal, vertical, cyan, magenta, yellow, color temperature drop, color wheel, pattern 1, pattern 1 rotation, pattern 2, pattern 2 rotation, cutting 1A, cutting 1B, cutting 2A, cutting 2B, cutting 3A, cutting 3B, cutting 4A, cutting 4B, cutting rotation, prism 1, prism 2, effect disc, atomization 1, Fog 2, aperture, zoom, focus, dimming, focus-gobo 1, focus-gobo 2, focus-iris, etc., then press the left/right button to return to the previous menu.

## ● FACTORY SETTINGS

Select factory settings, press the up and down keys to select, press the OK button to confirm, you can choose: factory reset, clear time, software upgrade, power adjustment, power selection, Logo selection and other functions, note that this function is factory settings

### **Pan:**

Enter the initial setting menu, use the up and down keys to select the horizontal channel, use the left and right keys to adjust the DMX value, the adjustment range is 0-255, the default initial position is 128, perform calibration, press the OK button to save and exit.

### **Tilt:**

Enter the initial setting menu, use the up and down keys to select the vertical channel, use the left and right keys to adjust the DMX value, the adjustment range is 0-255, the default initial position is 128, perform calibration, press the OK button to save and exit.

### **Blue:**

Enter the initial setting menu, use the up and down keys to select the cyan channel, use the left and right keys to adjust the DMX value, the adjustment range is 0-255, the default initial position is 128, perform calibration, press the OK button to save and exit.

### **Magenta:**

Enter the initial setting menu, use the up and down keys to select the magenta channel, use the left and right keys to adjust the DMX value, the adjustment range is 0-255, the default initial position is 128, perform calibration, press the OK button to save and exit.

### **Yellow:**

Enter the initial setting menu, use the up and down keys to select the yellow channel, use the left and right keys to adjust the DMX value, the adjustment range is 0-255, the default initial position is 128, perform calibration, press the OK button to save and exit.

### **Lower color temperature:**

Enter the initial setting menu, use the up and down keys to select the color temperature channel, use the left and right keys to adjust the DMX value, the adjustment range is 0-255, the default initial position is 128, perform calibration, press the OK button to save and exit.

### **Color wheel:**

Enter the initial setting menu, use the up and down keys to select the color wheel channel, use the left and right keys to adjust the DMX value, the adjustment range is 0-255, the default initial position is 128, perform calibration, press the OK button to save and exit.

**Pattern 1:**

Enter the initial setting menu, use the up and down keys to select pattern 1 channel, use the left and right keys to adjust the DMX value, the adjustment range is 0-255, the default initial position is 128, perform calibration, press the OK button to save and exit.

**Pattern 1 rotation:**

Enter the initial setting menu, use the up and down keys to select the pattern 1 rotation channel, use the left and right keys to adjust the DMX value, the adjustment range is 0-255, the default initial position is 128, perform calibration, press the OK button to save and exit.

**Pattern 2:**

Enter the initial setting menu, use the up and down keys to select the pattern 2 channel, use the left and right keys to adjust the DMX value, the adjustment range is 0-255, the default initial position is 128, perform calibration, press the OK button to save and exit.

**Pattern 2 rotation:**

Enter the initial setting menu, use the up and down keys to select the pattern 2 rotation channel, use the left and right keys to adjust the DMX value, the adjustment range is 0-255, the default initial position is 128, perform calibration, press the OK button to save and exit.

**Cut 1A:**

Enter the initial setting menu, use the up and down keys to select the cutting 1A channel, use the left and right keys to adjust the DMX value, the adjustment range is 0-255, the default initial position is 128, perform calibration, press the OK button to save and exit.

**Cut 1B:**

Enter the initial setting menu, use the up and down keys to select the cutting 1B channel, use the left and right keys to adjust the DMX value, the adjustment range is 0-255, the default initial position is 128, perform calibration, press the OK button to save and exit.

**Cut 2A:**

Enter the initial setting menu, use the up and down keys to select the cutting 2A channel, use the left and right keys to adjust the DMX value, the adjustment range is 0-255, the default initial position is 128, perform calibration, press the OK button to save and exit.

**Cut 2B:**

Enter the initial setting menu, use the up and down keys to select the cutting 2B channel, use the left and right keys to adjust the DMX value, the adjustment range is 0-255, the default initial position is 128, perform calibration, press the OK button to save and exit.

**Cut 3A:**

Enter the initial setting menu, use the up and down keys to select the cutting 3A channel, use the left and right keys to adjust the DMX value, the adjustment range is 0-255, the default initial position is 128, perform calibration, press the OK button to save and exit.

**Cut 3B:**

Enter the initial setting menu, use the up and down keys to select the cutting 3B channel, use the left and right keys to adjust the DMX value, the adjustment range is 0-255, the default initial position is 128, perform calibration, press the OK button to save and exit.

**Cut 4A:**

Enter the initial setting menu, use the up and down keys to select the cutting 4A channel, use the left and right keys to adjust the DMX value, the adjustment range is 0-255, the default initial position is 128, perform calibration, press the OK button to save and exit.

**Cut 4B:**

Enter the initial setting menu, use the up and down keys to select the cutting 4B channel, use the left and right keys to adjust the DMX value, the adjustment range is 0-255, the default initial position is 128, perform calibration, press the OK button to save and exit.

**Cutting rotation:**

Enter the initial setting menu, use the up and down keys to select the cutting rotation channel, use the left and right keys to adjust the DMX value, the adjustment range is 0-255, the default initial position is 128, perform calibration, press the OK button to save and exit.

**Prism 1:**

Enter the initial setting menu, use the up and down keys to select the prism channel, use the left and right keys to adjust the DMX value, the adjustment range is 0-255, the default initial position is 128, perform calibration, press the OK button to save and exit.

**Prism 2:**

Enter the initial setting menu, use the up and down keys to select the prism 2 channel, use the left and right keys to adjust the DMX value, the adjustment range is 0-255, the default initial position is 128, perform calibration, press the OK button to save and exit.

**Effect plate:**

Enter the initial setting menu, use the up and down keys to select the effect panel channel, use the left and right keys to adjust the DMX value, the adjustment range is 0-255, the default initial position is 128, perform calibration, press the OK button to save and exit.

**Atomization 1:**

Enter the initial setting menu, use the up and down keys to select the atomization channel, use the left and right keys to adjust the DMX value, the adjustment range is 0-255, the default initial position is 128, perform calibration, press the OK button to save and exit.

**Atomization 2:**

Enter the initial setting menu, use the up and down keys to select the atomization channel 2, use the left and right keys to adjust the DMX value, the adjustment range is 0-255, the default initial position is 128, perform calibration, press the OK button to save and exit.

**Aperture:**

Enter the initial setting menu, use the up and down keys to select the aperture channel, use the left and right keys to adjust the DMX value, the adjustment range is 0-255, the default initial position is 128, perform calibration, press the OK button to save and exit.

**Zoom:**

Enter the initial setting menu, use the up and down keys to select the zoom channel, use the left and right keys to adjust the DMX value, the adjustment range is 0-255, the default initial position is 128, perform calibration, press the OK button to save and exit.

**Focusing:**

Enter the initial setting menu, use the up and down keys to select the focusing channel, use the left and right keys to adjust the DMX value, the adjustment range is 0-255, the default initial position is 128, perform calibration, press the OK button to save and exit.

**Dimming:**

Enter the initial setting menu, use the up and down keys to select the dimming channel, use the left and right keys to adjust the DMX value, the adjustment range is 0-255, the default initial position is 128, perform calibration, press the OK button to save and exit.

**Focus-Pattern 1:**

Enter the initial setting menu, use the up and down keys to select the focus-pattern channel, use the left and right keys to adjust the DMX value, the adjustment range is 0-255, the default initial position is 128, perform calibration, press the OK button to save and exit.

**Focus - pattern 2:**

Enter the initial setting menu, use the up and down keys to select the focus-pattern 2 channel, use the left and right keys to adjust the DMX value, the adjustment range is 0-255, the default initial position is 128, perform calibration, press the OK button to save and exit.

**Focus-aperture:**

Enter the initial setting menu, use the up and down keys to select the focus-iris channel, use the left and right keys to adjust the DMX value, the adjustment range is 0-255, the default initial position is 128, perform calibration, press the OK button to save and exit.



Main menu	I menu	II menu	III menu	IV menu	
DMX SETTING	Address	1-512			
	Channel mode	Standard (43) Extended (55)			
	Input mode	DMX 512			
Info	Fixture times	Power on time	0 - 99999H		
		LED on time	0 - 99999H		
		All time	0 - 99999H		
	Temperatures	LED TEMP			
		Drive TEMP			
	RDM info	UID:0x3888XXXXXXXX			
	DMX live	1.Pan		0 - 255	
		2.Pan fine		0 - 255	
		3.....		0 - 255	
	Version info	Display		VX.XXX	
		Pan/Tilt		VX.XXX	
		CMY module		VX.XXX	
		Gobo module		VX.XXX	
		Profile1		VX.XXX	
		Profile2		VX.XXX	
		Zoom module		VX.XXX	
	Led FanDrv		VX.XXX		
	Fan Info	In Fan			
		Out Fan			
		Gobo Fan			
		Profile Fan			
		Focus Fan			
		In Fan1			
		In Fan2			
		In Fan3			
		Out Fan1			
		Out Fan2			
Out Fan3					
CMY Fan					
Gobo Fan					
Profile Fan					
Focus Fan1					
Focus Fan2					
Person	Pan/Tilt	PT swap	OFF ON		
		Pan invert	OFF ON		
		Tilt invert	OFF ON		
	Noise mode	Super silent			
		Silent			
	Display	Hight Brightness			
		Language		Chinese English	
		Backlight time		Always Auto (30S)	
		Intensity		0 - 100 Normal	
	Dimmer Curve	Rotation		Rotate 180 Auto (30S)	
		Linear			
		Square(Default)			
	Led Preq Set	I-Square			
		S Curve			
		1000 Hz			
		3600 Hz			
	Zomm Invert Set	7200 Hz			
		25000 Hz			
		OFF			
		ON			

Main menu	I menu	II menu	III menu	IV menu	
Manual	Manual Control	1.Pan	0 - 255		
		2.Pan fine	0 - 255		
		3.....	0 - 255		
	Reset	Total reset			
		Pan/Tilt reset			
		Gobo reset			
		Color reset			
Profile reset					
Test	Test all	Testing			
	Test pan/tilt	Testing			
Test effects		Testing			
	Fixture state	Memory IC	OK/Reset/Error		
		Angle Sensor	OK/Reset/Error		
Pan Encodeer		OK/Reset/Error			
Tilt Encoder		OK/Reset/Error			
Pan		OK/Reset/Error			
Tilt		OK/Reset/Error			
Cyan		OK/Reset/Error			
Magenta		OK/Reset/Error			
Yellow		OK/Reset/Error			
CTO		OK/Reset/Error			
Colorwheel		OK/Reset/Error			
Gobo1		OK/Reset/Error			
Gobo1 Rot.		OK/Reset/Error			
Gobo2		OK/Reset/Error			
Gobo2 Rot.		OK/Reset/Error			
Fram Rot.		OK/Reset/Error			
Zoom		OK/Reset/Error			
Focus	OK/Reset/Error				
Prism1	OK/Reset/Error				
Prism2	OK/Reset/Error				
Prism Rot.	OK/Reset/Error				
Adjust	Pan	0 - 255			
	Tilt	0 - 255			
	.....	0 - 255			
Service	Factory Reset	Factory Reset	YES / NO		
		Reset timers	Reset power on timers Reset led timers Reset all timers	YES/NO YES/NO YES/NO	
	Factory	Update	Simple update	Display	
				Pan/Tilt	
				CMY module	
				Gobo module	
		Framing module1			
		Framing module2			
		Zoom module			
		LEDQD			
ALL					
Power select	Whole update	Whole update	Display		
			Pan/Tilt		
			CMY module		
			Gobo module		
Framing module1					
Framing module2					
Zoom module					
LEDQD					
ALL					
Logo select					
Fixture Type					

## 6.2.Channel Setting

Press the OK button to confirm, use the up/down buttons to select the channel mode: standard mode (43CH), extended mode (55CH), press the OK button to save.Press the left/right button to return to the previous menu.

## 6.3.Address Setting

When using a universal DMX controller to control the fixture, you need to set the starting address (1-512) for the fixture so that the machine can receive to the DMX signal.Select the DMX address, press the OK button to confirm, the current DMX address will be shown on the display. Use the left/right buttons to select 001~512 address, press the OK button to save. Press the left/right button to return to the previous menu.

**Please refer to the following diagram to address your DMX512 channel for the first 4 units.**

Channel mode	Unit 1 Address	Unit 2 Address	Unit 3 Address	Unit 4 Address
43 Channel	1	44	87	130
55 Channel	1	56	111	166

## 6.4.DMX 512 Configuration

55 Channel	43 Channel	DMX	Function	Note
1	1	0--255	Pan Pan movement/positioning	
2	2	0--255	Pan fine Fine Pan positioning	
3	3	0--255	TILT Tilt movement/positioning	
4	4	0--255	TILT fine Fine Tilt movement/positioning	
5	5	0--255	PAN TILT Speed Pan Tilt movement Speed From Fast To Slow	
6	6	0--10 11 -- 20 21 -- 30 31 -- 40 41 -- 50 51 -- 60 61 -- 70 71 -- 80 81 -- 90 91 -- 100 101 -- 110 111 -- 120 121 -- 130 131 -- 140 141 -- 150 151 -- 160 161 -- 170 171 -- 180 181 -- 190 191 -- 200 201 -- 255	Functions NO function All Reset XY Reset Color System Reset Gobo System Reset Profile System Reset Focus System Reset Super silent Silent Hight Brightness Effect Reset Zoom Invert Zoom Forward NO function NO function NO function NO function NO function NO function NO function Display Back light is Auto function Open NO function	
7	7	0--255	Cyan White→full cyan	
8	/	0--255	Cyan Fine Cyan Fine movement/positioning	
9	8	0--255	Magenta White → full magenta	
10	/	0--255	Magenta Fine Magenta Fine movement/positioning	
11	9	0--255	Yellow White→ full yellow	
12	/	0--255	Yellow Fine Yellow Fine movement/positioning	
13	10	0--255	CTO Color Temperature from Deep to mall	
14	/	0--255	CTO Fine CTO Fine movement/positioning	
15	11	0--89 90--101 102--114 115--127 128--140 141--153 154 --166	Colour wheel 0--360° OPEN COLOR1 COLOR2 COLOR3 COLOR4 COLOR5	

55 Channel	43 Channel	DMX	Function	Note
		167--179 180--214 215--249 250--255	COLOR6 Forwards Color rotation from slow to fast Backwards Color rotation from fast to slow Random Color	
16	12	0--9 10--19 20--29 30--39 40--49 50--59 60--69 70--79 80--87 88--95 96--103 104--111 112--119 120--127 128--135 136--139 140--194 195--249 250--255	Gobo Open GOBO1 GOBO2 GOBO3 GOBO4 GOBO5 GOBO6 GOBO7 Gobo 1 shake slow to fast Gobo 2 shake slow to fast Gobo 3 shake slow to fast Gobo 4 shake slow to fast Gobo 5 shake slow to fast Gobo 6 shake slow to fast Gobo 7 shake slow to fast OPEN Forwards gobo rotation from slow to fast Backwards gobo rotation from fast to slow Random Gobo	
17	13	0--127 128--189 190--193 194--255	Gobo Rotation 0°--360° Forwards gobo rotation from fast to slow Gobo rotation stop Backwards gobo rotation from slow to fast	
18	14	0--9 10--19 20--29 30--39 40--49 50--59 60--69 70--79 80--87 88--95 96--103 104--111 112--119 120--127 128--135 136--139 140--194 195--249 250--255	Gobo2 Open GOBO1 GOBO2 GOBO3 GOBO4 GOBO5 GOBO6 GOBO7 Gobo 1 shake slow to fast Gobo 2 shake slow to fast Gobo 3 shake slow to fast Gobo 4 shake slow to fast Gobo 5 shake slow to fast Gobo 6 shake slow to fast Gobo 7 shake slow to fast OPEN Forwards gobo rotation from slow to fast Backwards gobo rotation from fast to slow Random Gobo	
19	15	0--127 128--189 190--193 194--255	Gobo2 Rotation 0°--360° Forwards gobo rotation from fast to slow Gobo rotation stop Backwards gobo rotation from slow to fast	
20	16	0--255	Blade 1A Blade Out→In	

55 Channel	43 Channel	DMX	Function	Note
21	/	0--255	Blade 1A Fine Fine Blade positioning	
22	17	0--255	Blade 1B Blade Out→In	
23	/	0--255	Blade 1B Fine Fine Blade positioning	
24	18	0--255	Blade 2A Blade Out→In	
25	/	0--255	Blade 2A Fine Fine Blade positioning	
26	19	0--255	Blade 2B Blade Out→In	
27	/	0--255	Blade 2B Fine Fine Blade positioning	
28	20	0--255	Blade 3A Blade Out→In	
29	/	0--255	Blade 3A Fine Fine Blade positioning	
30	21	0--255	Blade 3B Blade Out→In	
31	/	0--255	Blade 3B Fine Fine Blade positioning	
32	22	0--255	Blade 4A Blade Out→In	
33	/	0--255	Blade 4A Fine Fine Blade positioning	
34	23	0--255	Blade 4B Blade Out→In	
35	/	0--255	Blade 4B Fine Fine Blade positioning	
36	24	0--255	Framing Rotation 0°--120°	
37	25	0 -- 10 11 -- 20 21 -- 30 31 -- 40 41 -- 50 51 -- 60 61 -- 70 71 --80 81 --90 91 --100 101--110 111--120 121--130 131--140 141--150 151--160 161--170 171--180 181--190 191--200 201--255	Framing Macro No function Square rectangle Isosceles triangle trapezoidal The Fan(Facing Up) parallelogram Right Angle trapezoid The Fan(Down) triangle prismatic The stripes bar Upper left quadrant semicircle (Up) Upper right quadrant Right semicircle Right lower quadrant Semicircle (Down) The lower left quadrant Left Semicircle	
38	26	0--255	Framing Macro Zoom Framing Macro Zoom	

55 Channel	43 Channel	DMX	Function	Note
39	27	0--10 11--100 101--190 191--255	Prism Prism Out Prism 1 Prism 2 Prism 1&2	
40	28	0 1--63 64--127 128--191 192--207 208--223 224--239 240--255	Prism Rotation No Function 0--360° Forwards rotation from fast to slow Backwards rotation from slow to fast from slow to fast 90°Swing from slow to fast 180°Swing from slow to fast 270°Swing from slow to fast 360°Swing	
41	29	0--9 10--239 240--255	Effect Effect Out Effect In Effect In&Shake	
42	30	0--2 3--130 131--255	Effect Rotation No Function Forwards rotation from fast to slow Backwards rotation from fast to slow	
43	31	0--127 128--159 160--191 192--255	Frost1 Frost From Min To Max No Function No Function No Function	
44	32	0--127 128--159 160--191 192--255	Frost2 Frost From Min To Max No Function No Function No Function	
45	33	0--127 128--159 160--191 192--255	Iris From Max To Min Slow In Fast Out from slow to fast Fast In Slow Out from slow to fast Slow In Slow Out from slow to fast	
46	34	0--255	Zoom WIDE BEAM→NARROW BEAM	
47	35	0--255	ZoomFine Fine Zoom positioning	
48	36	0--255	Focus Infinity→near	
49	37	0--255	Focus Fine Fine Focus positioning	
50	38	0--9 10 -- 19 20 -- 29 30 -- 39 40 -- 49 50 -- 59 60--69 70--79 80 -- 255	Autofocus Distance NO function 7M 10M 15M 20M 25M 30M 40M 50M	

55 Channel	43 Channel	DMX	Function	Note
51	39	0--255	Autofocus Adjustment Auto Focus Fine	
52	40	0--9 10--49 50--89 90--119 120--179 180--255	Strobe No Function Closing pulses in sequences from fast to slow Opening pulses in sequences from fast to slow No Function Random strobe, slow → fast Strobe, slow → fast	
53	41	0--255	Dimmer Dimmer from Dark To Bright	
54	42	0--255	Dimmer Fine Dimmer Fine	
55	43	0--15 16--255	Gobo Macro No Function Gobo Macro Function	





## 8. Error Information

Error messages will be displayed under the **Fixture state** status menu when the fixture fails and they will not disappear until the fixture is repaired.

### 1. Memory IC:

Check whether the Memory IC is damaged.

Check whether the related circuit of the Memory IC is damaged.

### 2. Angle sensor:

Check the Angle sensor chip for damage.

Check whether the related circuit of the Angle sensor chip is damaged.

### 3. Pan Encoder:

Check whether the connection wire connecting the X-axis magnetic induction board is in poor contact or disconnected.

Check whether the related circuit of the X-axis motor driver board is damaged.

Check the X-axis magnetic plate for looseness, falling off or damage.

### 4. Tilt Encoder:

Check whether the connecting wire connecting the Y-axis magnetic induction board is in poor contact or disconnected.

Check whether the related circuit of the Y-axis motor driver board is damaged.

Check whether the Y-axis magnetic induction plate is loose, dropped or damaged.

### 5. Pan:

Check whether there are other objects in the X-axis running range interfering with its running and reset.

Check whether the connection wire connecting the X-axis magnetic induction board is in poor contact or disconnected.

Check the X-axis magnetic plate for looseness, falling off or damage.

Check whether the related circuit of the X-axis motor driver board is damaged.

Check if the X-axis motor is damaged.

## **6. Tilt:**

Check whether there are other objects in the Y-axis running range interfering with its running and reset.

Check whether the connecting wire connecting the Y-axis magnetic induction board is in poor contact or is disconnected.

Check the Y-axis magnetic induction plate for looseness, falling off or damage.

Check whether the related circuit of the Y-axis motor driver board is damaged.

Check if the Y-axis motor is damaged.

## **7. Cyan:**

Check whether there are other objects in the operation range of the **C** color film interfering with its operation and reset.

Check whether the connection line connecting the **C** color chip and the magnetic induction board is in poor contact or disconnected.

Check the **C** color chip magnets for looseness, falling off, or damage.

Check whether the **C** color chip magnetic plate is loose, fallen off or damaged.

Check whether the related circuit of the **C** color chip motor driver board is damaged.

Check whether the **C** color chip motor is damaged.

## **8. Magenta:**

Check whether there are other objects in the operating range of the **M** color film interfering with its operation and reset.

Check whether the connection line connecting the **M** color chip magnetic induction board is in poor contact or disconnected.

Check if the **M** color chip magnet is loose, dropped or damaged.

Check whether the **M** color chip magnetic plate is loose, falling off or damaged.

Check whether the related circuit of the **M** color chip motor driver board is damaged.

Check if the **M** color chip motor is damaged.

## **6. Tilt:**

Check whether there are other objects in the Y-axis running range interfering with its running and reset.

Check whether the connecting wire connecting the Y-axis magnetic induction board is in poor contact or is disconnected.

Check the Y-axis magnetic induction plate for looseness, falling off or damage.

Check whether the related circuit of the Y-axis motor driver board is damaged.

Check if the Y-axis motor is damaged.

## **7. Cyan:**

Check whether there are other objects in the operation range of the **C** color film interfering with its operation and reset.

Check whether the connection line connecting the **C** color chip and the magnetic induction board is in poor contact or disconnected.

Check the **C** color chip magnets for looseness, falling off, or damage.

Check whether the **C** color chip magnetic plate is loose, fallen off or damaged.

Check whether the related circuit of the **C** color chip motor driver board is damaged.

Check whether the **C** color chip motor is damaged.

## **8. Magenta:**

Check whether there are other objects in the operating range of the **M** color film interfering with its operation and reset.

Check whether the connection line connecting the **M** color chip magnetic induction board is in poor contact or disconnected.

Check if the **M** color chip magnet is loose, dropped or damaged.

Check whether the **M** color chip magnetic plate is loose, falling off or damaged.

Check whether the related circuit of the **M** color chip motor driver board is damaged.

Check if the **M** color chip motor is damaged.

## **9. Yellow:**

Check whether there are other objects in the operation range of the **Y** color film interfering with its operation and reset.

Check whether the connecting wire connecting the **Y**-color chip magnetic induction board is in poor contact or disconnected.

Check the **Y**-chip magnets for looseness, falling off, or damage.

Check whether the **Y** color chip magnetic induction board is loose, fallen off or damaged.

Check whether the related circuit of the **Y** color chip motor driver board is damaged.

Check if the **Y** chip motor is damaged.

## **10. CTO:**

Check whether there are other objects in the operation range of the CTO color film interfering with its operation and reset.

Check whether the connecting wire connecting the CTO color chip magnetic induction board is in poor contact or disconnected.

Check the CTO chip magnets for looseness, falling off, or damage.

Check the CTO color chip magnetic plate for looseness, falling off or damage.

Check whether the related circuit of the CTO color chip motor driver board is damaged.

Check the CTO chip motor for damage.

## **11. Color wheel:**

Check whether there are other items in the color wheel operation range that interfere with its operation, reset

Check whether the connection wires connecting the color wheel and the magnetic sensor board are in poor contact or disconnected

Check if the color wheel magnet is loose, falling off or damaged

Check whether the color wheel or the magnetic sensor board is loose, falling off or damaged

Check whether the circuit related to the color wheel and the motor drive board is damaged

Check whether the color wheel motor is damaged

## **12. Pattern 1:**

Check whether there are other objects in the pattern 1 revolution range that interfere with its operation and reset

Check whether the connecting wires connected to the magnetic sensor board of the pattern 1 male wheel are in poor contact or disconnected

Check whether the pattern 1 revolution magnet is loose, falling off or damaged

Check whether the pattern 1 revolution magnetic induction plate is loose, falling off or damaged

Check whether the circuit related to the pattern 1 revolution motor drive board is damaged

Check whether the pattern 1 revolution motor is damaged

## **13. Pattern 1 rotation:**

Check whether there are other items in the range of the pattern 1 self-rotating gear interfering with its operation and reset

Check whether the connecting wires of the pattern 1 self-rotating gear and the magnetic induction board are in poor contact or disconnected

Check if the gobo self-rotating gear magnet is loose, falling off or damaged

Check whether the pattern 1 self-rotating gear and the magnetic induction plate are loose, falling off or damaged

Check whether the related circuits of the pattern 1 self-rotating gear and the motor drive board are damaged

Check whether the pattern 1 self-rotating gear motor is damaged

## **14. Pattern 2:**

Check whether there are other objects in the pattern 2 revolution range that interfere with its operation and reset

Check whether the connecting wires connected to the magnetic sensor board of the pattern 2 male wheel are in poor contact or disconnected

Check whether the pattern 2 revolution magnet is loose, falling off or damaged

Check whether the pattern 2 revolution magnetic induction plate is loose, falling off or damaged

Check whether the circuit related to the pattern 2 revolution motor drive board is damaged

Check whether the pattern 2 revolution motor is damaged

### **15. Pattern 2 rotation:**

Check whether there are other items in the range of the pattern 2 self-rotating gear interfering with its operation and reset

Check whether the connecting wires of the pattern 2 self-rotating gear and the magnetic induction

board are in poor contact or disconnected

Check if the gobo self-rotating gear magnet is loose, falling off or damaged

Check whether the pattern 2 self-rotating gear and the magnetic induction plate are loose, falling off or damaged

Check whether the related circuits of the pattern 2 self-rotating gear and the motor drive board are damaged

Check whether the pattern 2 self-rotating gear motor is damaged<sup>14</sup>.

### **16.Prism 1:**

Check whether there are other objects in the range of prism 1 revolution and operation that interfere with its operation and reset

Check whether the connecting wires of the prism 1 revolution and the magnetic sensor board are in poor contact or disconnected

Check whether the prism 1 revolution magnet is loose, falling off or damaged

Check if the prism 1 revolves and the magnetic induction board is loose, falling off or damaged

Check whether the circuit related to the prism 1 revolution motor drive board is damaged

Check whether the prism 1 rotation gear motor is damaged

### **17.Prism 2:**

Check whether there are other objects in the range of prism 2 revolution and operation that interfere with its operation and reset

Check whether the connecting wires of the prism 2 revolution and the magnetic sensor board are in poor contact or disconnected

Check whether the prism 2 revolution magnet is loose, falling off or damaged

Check if the prism 2 revolves and the magnetic induction board is loose, falling off or damaged

Check whether the circuit related to the prism 2 revolution motor drive board is damaged

Check whether the prism 2 rotation gear motor is damaged

## **18. Prism rotation**

Check whether there are other items in the operating range of the prism self-rotating gear that interfere with its operation and reset

Check whether the connection wires of the prism self-rotating gear and the magnetic induction board are in poor contact or disconnected

Check whether the prism rotation gear magnet is loose, falling off or damaged

Check whether the prism self-rotating gear and the magnetic induction plate are loose, falling off or damaged

Check whether the prism self-rotating gear and the related circuit of the motor drive board are damaged

Check whether the prism rotation gear motor is damaged

## **19. Cutting rotation:**

Check whether there are other objects in the operating range of the cutting disc assembly that interfere with its operation, reset

Check whether the connection wires of the cutting disc assembly and the magnetic sensor board are in poor contact or disconnected

Check Cutting Disc Assembly Magnet for loose, dislodged or damaged

Check whether the cutting disc assembly and the magnetic induction plate are loose, falling off or damaged

Check whether the cutting disc assembly and the related circuit of the motor drive board are damaged

Check the cutting disc assembly motor for damage

## **20. Zoom:**

Check whether there are other items in the operating range of the zoom lens that interfere with its operation and reset

Check whether the cable connected to the zoom lens or the magnetic sensor board is poorly connected or disconnected

Check if the zoom lens magnet is loose, dislodged or damaged

Check whether the zoom lens magnetic plate is loose, falling off or damaged

Check whether the related circuits of zoom lens and motor drive board are damaged

Check the zoom lens motor for damage



## 21. Focusing:

Check whether there are other objects in the operating range of the focusing lens that interfere with its operation and reset

Check whether the connecting wires of the focusing lens and the magnetic sensor board are in poor contact or disconnected

Check if the focusing lens magnet is loose, falling off or damaged

Check whether the focusing lens or the magnetic sensor board is loose, falling off or damaged

Check whether the related circuits of the focusing lens and the motor drive board are damaged

Check whether the focusing lens motor is damaged

## 9. Troubleshooting

Following are a few common problems that may occur during operation. Here are some suggestions for troubleshooting:

### A. The unit does not work, no light and the fan does not work

- Check the connected power.
- Measure the voltage.
- Check the power indicator to see whether it can be lit up or not.

### B. Not responding to the DMX controller

- Check whether the DMX connectors and the DMX cables are connected correctly.
- Check whether the DMX address is correctly set.
- If the intermittent DMX signal problem occurs, check whether the XLR socket and the signal cable are well connected.
- Try it with another DMX controller.
- Check whether the DMX cables run near or alongside to the high-voltage cables, which may damage or interfere with the signal circuit.

### C. One of the channels is not working well

- The stepper motor might be damaged or the cable connected to the PCB might be broken.
- The motor's drive IC on the PCB might be out of condition.

## 10. Fixture Cleaning

It is absolutely essential that the fixture is kept clean to ensure the maximum light-output and allow the fixture to function reliably throughout its life. The fixture must be cleaned regularly to avoid dust, dirt and smoke-fluid residues building up on or within the fixture. The cleaning frequency depends on the application environment. Clean the fixture immediately if the dust enters it to avoid damage to the optical lens due to excessive dust.

- \* A soft lint-free cloth moistened with any good glass cleaning fluid is recommended, under no circumstances should solvents be used.
- \* Always dry the parts carefully.
- \* Clean the external optical lens at least every 20 days and the internal optical lens every 30 days.

**CAUTION ! ! !**

**Disconnect from mains before starting maintenance operation.**

## 11. Duty exonerative and copyright protectio

- \* Light source belongs to consumption products, not within the scope of warranty.
- \* The manufacturer shall not bear any responsibility for any damage caused by failure to operate in accordance with this instruction.
- \* All the information in this manual shall be interpreted by the manufacturer.
- \* All the information in this manual shall not be copied without permission.
- \* The data contained in this statement are subject to change in the future without prior notice.