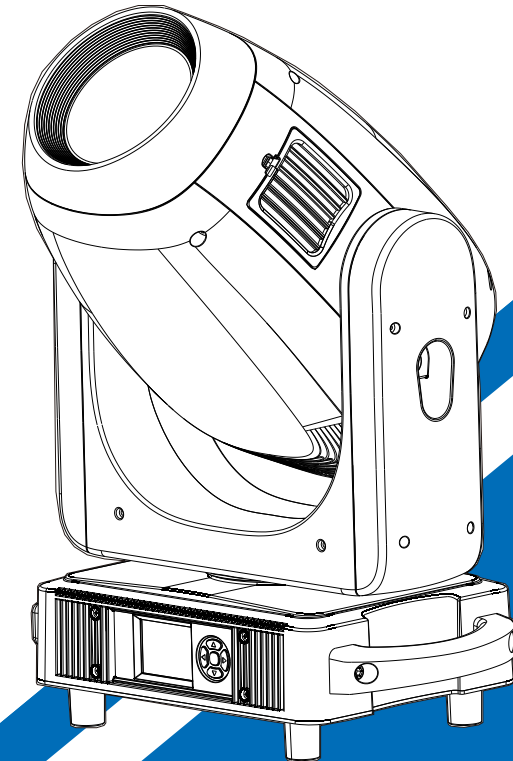


LIGHT SKY[®]

FLY DRAGON LIGHTING EQUIPMENT CO.,LTD

SUPER SCOPE PRO



LIGHT SKY[®]

Tel:0086-20-61828288

Fax:0086-20-61828188 Pc:510800

Web:www.lightsky.com.cn

E-mail: flydragon@lightsky.com.cn

asia@lightsky.com.cn

asia01@lightsky.com.cn

india@lightsky.com.cn

europa@lightsky.com.cn

latinamerica@lightsky.com.cn

middle-east@lightsky.com.cn

american@lightsky.com.cn

Address: No. 43, Yunfeng Road, Xiuquan Street,
Huadu District, Guangzhou, China



LIGHT SKY[®]



WWW.LIGHTSKY.COM.CN

USER CHANNEL

Please read the instruction carefully before use

6.2.Channel Setting

Enter the MENU menu, select the Personal Settings function, select the channel mode, press the OK button to confirm, you can use the up and down keys to select:33 channels (default), 36channels, Press the OK key to enter the selection confirmation and return to the previous menu.

6.3.Address Setting

Enter MENU, select the DMX setting function, select the address code setting, press the OK button to confirm, the current DMX address will be displayed on the display. Use the up/down buttons to select addresses 001~512, and press the OK button to save. Press the OK button to return to the previous menu.

Please refer to the following diagram to address your DMX512 channel for the first 4 units.

Channel mode	Unit 1 Address	Unit 2 Address	Unit 3 Address	Unit 4 Address
33 CH	1	34	67	100
36 CH	1	37	73	109

6.4.DMX 512 Configuration

Please control the fixture by referring to the configurations below

33 Channel	36 Channel	DMX	Function	Note
1	1	0--255	Pan positioning	
2	2	0--255	Fine Pan positioning	
3	3	0--255	Tilt positioning	
4	4	0--255	Fine Tilt positioning	
/	5	0--255	Speed pan/tilt	
5	6	0--9 10--19 20--29 30--39 40--49 50--59 60--69 70--79 80--89 90--99 100--109 110--119 120--129 130--139 140--149 150--159 160--169 170--177 178--185 186--193 194--199 200--204 205--209 210--214 215--219 220--229 230--239 240--255	DeviceSet(Hold 3s) No function Fan high speed Fan auto speed Fan slow speed Reset Pan&Tilt Reset CMY Reset Gobo Reset Frame Reset Head Reset other(except P&T) Reset All No function No function Pan invert on Pan invert off Tilt invert on Tilt invert off LED frequency 1kHz LED frequency 3.6kHz LED frequency 7.2kHz LED frequency 25kHz Dimmer curve linear Dimmer curve square Dimmer curve inv--square Dimmer curve "S" Dimmer fast Dimmer smooth No function	
6	7	0--255	Cyan	
7	8	0--255	Magenta	
8	9	0--255	Yellow	
9	10	0--5 6--23 24--41 42--59 60--77 78--95 96--113 114--133 134--194 195--255	Virtual ColorWheel CMY enable Red Green Blue Orange light blue CRI CMY enable virtual Colorwheel CW slow to fast virtual Colorwheel CCW fast to slow	
		0--9 10--19 20--29 30--39 40--49	RotgoboWheel Open RotGobo1 RotGobo 2 RotGobo 3 RotGobo 4	

33 Channel	36 Channel	DMX	Function	Note
10	11	50--59 60--69 70--79 80--87 88--95 96--103 104--111 112--119 120--127 128--135 136--139 140--194 195--249 250--255	RotGobo 5 RotGobo 6 RotGobo 7 RotGobo1shake,slow to fast RotGobo2shake,slow to fast RotGobo3shake,slow to fast RotGobo4shake,slow to fast RotGobo5shake,slow to fast RotGobo6shake,slow to fast RotGobo7shake,slow to fast Open RotGoboWheel CW fast to slow RotGoboWheel CCW slow to fast Random Gobo	
11	12	0--127 128--189 190--193 194--255	GoboRot GoboRot indexing 0°-- 360° RotGobo CW fast to slow Stop RotGobo CCW slow to fast	
12	13	0--255	CTO	
13	14	0 --127 128--255	Effect wheel Animation index Animation rotation	
14	15	0--255	BladeA position1	
15	16	0--255	BladeA position2	
16	17	0--255	BladeB position1	
17	18	0--255	BladeB position2	
18	19	0--255	BladeC position1	
19	20	0--255	BladeC position2	
20	21	0--255	BladeD position1	
21	22	0--255	BladeD position2	
22	23	0--255	Frame Rot	
23	24	0 --10 11--20 21 --30 31 --40 41 --50 51 --60 61 --70 71 --80 81 --255	Framing Macro No function Square Rectangle Triangle Trapezoid Sector Semi-circle Parallelogram No function	
24	25	0--127 128--159 160--191 192--255	Iris Iris Indexing Slow close fast open ; slow--fast Fast close slow open; slow--fast Slow close slow open ;slow--fast	
		0--9 10--63 64--127	Prism&PrismRot Prism out Prism In & indexing Forwards prism rotation from slow to fast	

33 Channel	36 Channel	DMX	Function	Note
25	26	128--191 192--207 208--223 224--239 240--255	Backwards prism rotation from fast to slow prism flickered 90° prism flickered 180° prism flickered 270° prism flickered 360°	
26	27	0--255	Frost	
27	28	0--255	Focus8bit	
/	29	0--255	FocusFine16bit	
28	30	0--255	Zoom8bit	
/	31	0--255	ZoomFine16bit	
29	32	0--9 10--19 20--68 69--79 80--128 129--139 140--188 189--255	Strobe Strobe closed Strobe open Normal strobe effect slow to fast Strobe open Pulse strobe Strobe open Random strobe Strobe open	
30	33	0--255	Dimmer	
31	34	0--255	Dimmer Fine	
32	35	0--127 128--158 159--190 191--225 226--255	Auto Focus Auto Focus Disable 10m Auto Focus Enable 15m Auto Focus Enable 20m Auto Focus Enable 30m Auto Focus Enable	
33	36	0--255	Auto FocusFine	