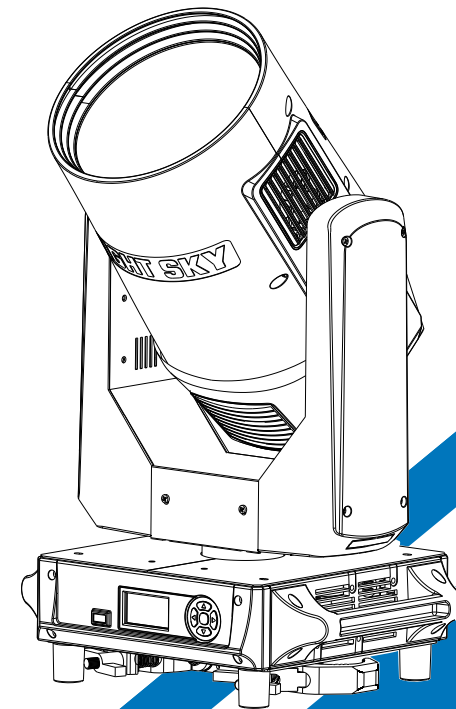


LIGHT SKY[®]

FLY DRAGON LIGHTING EQUIPMENT CO.,LTD

LUNAR MAX



LIGHT SKY[®]

Tel:0086-20-61828288

Fax:0086-20-61828188 Pc:510800

Web:www.lightsky.com.cn

E-mail: flydragon@lightsky.com.cn

asia@lightsky.com.cn

india@lightsky.com.cn

europa@lightsky.com.cn

latinamerica@lightsky.com.cn

middle-east@lightsky.com.cn

american@lightsky.com.cn

Address: No. 43, Yunfeng Road, Xiuquan Street,
Huadu District, Guangzhou, China



LIGHT SKY[®]



WWW.LIGHTSKY.COM.CN

USER CHANNEL

Please read the instruction carefully before use

5.2.Channel Setting

Enter the MENU menu, select the personality setting function, select the channel mode, press OK button to confirm, you can use the up and down key to select: 16 channel (default), 14 channel, 16 PLUS channel, press OK key to select confirm and return to the next level menu.

5.3.Address Setting

Enter MENU, select the DMX setting function, select the address code setting, press the OK button to confirm, the current DMX address will be displayed on the display. Use the up/down buttons to select addresses 001~512, and press the OK button to save. Press the OK button to return to the previous menu.

Please refer to the following diagram to address your DMX512 channel for the first 4 units.

Channel mode	Unit 1 Address	Unit 2 Address	Unit 3 Address	Unit 4 Address
16 CH	1	17	33	49
14 CH	1	15	29	43
16 PLUS CH	1	17	33	49

5.4.DMX 512 Configuration

Please control the fixture by referring to the configurations below

16CH

Channel	DMX	Percentage	Function	Note
1	0-4	0-1.56	Colour White	
	5-8	1.96-3.14	White+Red	
	9-12	3.53-4.71	Red	
	13-17	5.10-6.67	Red+Orange	
	18-21	7.06-8.24	Orange	
	22-25	8.63-9.80	Orange+Aquamarine	
	26-29	10.2-11.4	Aquamarine	
	30-34	11.8-13.3	Aquamarine+Green	
	35-38	13.7-14.9	Green	
	39-42	15.3-16.5	Green+Light Green	
	43-46	16.9-18.0	Light Green	
	47-51	18.4-20.0	Light Green+Lavender	
	52-55	20.4-21.6	Lavender	
	56-59	22.0-23.1	Lavender+Pink	
	60-63	23.5-24.7	Pink	
	64-68	25.1-26.7	Pink+Yellow	
	69-72	27.0-28.2	Yellow	
	73-76	28.6-29.8	Yellow+Magenta	
	77-80	30.2-31.8	Magenta	
	81-85	32.2-33.3	Magenta+Cyan	
	86-89	33.7-34.9	Cyan	
	90-93	35.3-36.5	Cyan+CTO 260	
	94-98	36.9-38.4	CTO 260	
	99-102	38.8-40.0	CTO 260+CTO 190	
	103-106	40.4-41.6	CTO 190	
107-110	42.0-43.1	CTO 190+CTB 8000		
111-115	43.5-45.1	CTB 8000		
116-119	45.5-46.7	CTB 8000+Blue		
120-123	47.1-48.2	Blue		
124-127	48.6-49.8	Blue+White		
128-191	50.2-74.9	Fast-Slow Rotation		
192-255	75.3-100	Slow-Fast Rotation		
2	0-3	0-1.2	Strobe Closed	
	4-103	1.6-40.4	Slow-Fast Strobe	
	104-107	40.8-42.0	Open	
	108-157	42.4-61.6	slow → fast, fast off and slow on	
	158-207	62.0-81.2	Slow → fast, fast on and slow off	
	208-212	81.6-83.1	Open	
	213-251	83.5-98.4	Random Slow-Fast Strobe	
	252-255	99.8-100	Open	
3	0-255	0-100	Dimmer	
4	0-3	0-1.2	Gobo White	
	4-7	1.6-2.7	Gobo1	
	8-11	3.1-4.3	Gobo2	
	12-15	4.7-5.9	Gobo3	
	16-19	6.3-7.5	Gobo4	
	20-23	7.8-9.0	Gobo5	
	24-27	9.4-10.6	Gobo6	
	28-31	11.0-12.2	Gobo7	
	32-35	12.5-13.7	Gobo8	
	36-39	14.1-15.3	Gobo9	
	40-43	15.7-16.9	Gobo10	
	44-47	17.3-18.4	Gobo11	
	48-51	18.8-20.0	Gobo12	
	52-55	20.4-21.6	Gobo13	
	56-59	22.0-23.1	Gobo14	
60-63	23.5-24.7	Gobo15		

Channel	DMX	Percentage	Function	Note
	64-67 68-71 72-81 82-92 93-103 104-114 115-124 125-135 136-146 147-157 158-167 168-178 179-189 190-200 201-210 211-221 222-232 233-243 244-255	25.0-26.2 26.6-27.8 28.2-31.7 32.1-36.0 36.4-40.3 40.7-44.7 45.0-48.6 49.0-52.9 53.3-57.2 57.6-61.5 61.9-65.4 65.8-69.8 70.1-74.1 74.5-78.4 78.8-82.3 82.7-86.6 87.0-90.9 91.3-95.2 95.6-100	Gobo16 Gobo17 Gobo1 Shake Slow-Fast Speed Gobo2 Shake Slow-Fast Speed Gobo3 Shake Slow-Fast Speed Gobo4 Shake Slow-Fast Speed Gobo5 Shake Slow-Fast Speed Gobo6 Shake Slow-Fast Speed Gobo7 Shake Slow-Fast Speed Gobo8 Shake Slow-Fast Speed Gobo9 Shake Slow-Fast Speed Gobo10 Shake Slow-Fast Speed Gobo11 Shake Slow-Fast Speed Gobo12 Shake Slow-Fast Speed Gobo13 Shake Slow-Fast Speed Gobo14 Shake Slow-Fast Speed Gobo15 Shake Slow-Fast Speed Gobo16 Shake Slow-Fast Speed Gobo17 Shake Slow-Fast Speed	
5	0-63 64-87 88-111 112-135 136-159 160-183 184-207 208-231 232-255	0-24.7	Prism Unused Range Prism1 Prism2 Prism3 Prism4 Prism1+Prism2 Prism1+Prism4 Prism2+Prism3 Prism3+Prism4	
	0 1-63	0 0.4-24.7	Prism Rotation Unused Range Angle linear adjustment	
6	64-127 128-191 192-207 208-223 224-239 240-255	25.1-49.8 50.2-74.9 75.3-81.2 81.6-87.5 87.8-93.7 94.1-100	Three kinds of prism effect options: set the prism (prism 1, prism 2 or prism 1+2) in the 5th channel Prism rotates Fast →Slow, counterclockwise Prism rotates Slow →Fast, clockwise rotation Prism rotates Slow →Fast, 90° Rotate back and forth Prism rotates Slow →Fast, 180° Rotate back and forth Prism rotates Slow →Fast, 270° Rotate back and forth Prism rotates Slow →Fast, 360° Rotate back and forth	
7	0-15 16-27 28-39 40-51 52-63 64-75 76-87 88-99 100-111 112-123 124-135 136-147 148-159 160-171 172-183 184-195 196-207 208-219 220-231 232-243 244-255	0-5.9	Prism Macro Unused Range Fast →Slow, Prism1 Free switch Fast →Slow, Prism2 Free switch Fast →Slow, Prism3 Free switch Fast →Slow, Prism4 Free switch Fast →Slow, Prism1+ Prism2 Free switch Fast →Slow, Prism1+ Prism4 Free switch Fast →Slow, Prism2+ Prism3 Free switch Fast →Slow, Prism3+ Prism4 Free switch Fast →Slow, Prism 1 selected + Prism 2 free switch Fast →Slow, Prism 1 selected + Prism 4 free switch Fast →Slow, Prism 2 selected + Prism 1 free switch Fast →Slow, Prism 2 selected + Prism 3 free switch Fast →Slow, Prism 3 selected + Prism 2 free switch Fast →Slow, Prism 3 selected + Prism 4 free switch Fast →Slow, Prism 4 selected + Prism 1 free switch Fast →Slow, Prism 4 selected + Prism 3 free switch Fast →Slow, Prism 1 and prism 2 are interlocked and switched Fast →Slow, Prism 1 and prism 4 are interlocked and switched Fast →Slow, Prism 3 and prism 2 are interlocked and switched Fast →Slow, Prism 3 and prism 4 are interlocked and switched	

Channel	DMX	Percentage	Function	Note
8	0-255	0-100	Frost	
9	0-255	0-100	Focus	
10	0-255	0-100	Pan	
11	0-255	0-100	Pan Fine	
12	0-255	0-100	TILT	
13	0-255	0-100	TILT Fine	
14	0-255	0-100	bare	
15	0-25		Reset	
	26-76		Unused Range	
	77-127		Effects Reset	
	128-255		PAN/TILT Reset Complete Reset	
16	0-25		Lamp Control	
	26-100		Unused Range	
	101-255		Lamp OFF Lamp ON	

14CH

Channel	DMX	Percentage	Function	Note
1	0-4	0-1.56	Colour White	
	5-8	1.96-3.14	White+Red	
	9-12	3.53-4.71	Red	
	13-17	5.10-6.67	Red+Orange	
	18-21	7.06-8.24	Orange	
	22-25	8.63-9.80	Orange+Aquamarine	
	26-29	10.2-11.4	Aquamarine	
	30-34	11.8-13.3	Aquamarine+Green	
	35-38	13.7-14.9	Green	
	39-42	15.3-16.5	Green+Light Green	
	43-46	16.9-18.0	Light Green	
	47-51	18.4-20.0	Light Green+Lavender	
	52-55	20.4-21.6	Lavender	
	56-59	22.0-23.1	Lavender+Pink	
	60-63	23.5-24.7	Pink	
	64-68	25.1-26.7	Pink+Yellow	
	69-72	27.0-28.2	Yellow	
	73-76	28.6-29.8	Yellow+Magenta	
	77-81	30.2-31.8	Magenta	
	82-85	32.2-33.3	Magenta+Cyan	
	86-89	33.7-34.9	Cyan	
90-93	35.3-36.5	Cyan+CTO 260		
94-98	36.9-38.4	CTO 260		
99-102	38.8-40.0	CTO 260+CTO 190		
103-106	40.4-41.6	CTO 190		
107-110	42.0-43.1	CTO 190+CTB 8000		
111-115	43.5-45.1	CTB 8000		
116-119	45.5-46.7	CTB 8000+Blue		
120-123	47.1-48.2	Blue		
124-127	48.6-49.8	Blue+White		
128-191	50.2-74.9	CCW, Fast→Slow Rotation		
192-255	75.3-100	CW, Slow→Fast Rotation		
2	0-3	0-1.2	Strobe Closed	
	4-103	1.6-40.4	Slow-Fast Strobe	
	104-107	40.8-42.0	Open	
	108-157	42.4-61.6	slow →fast, fast off and slow on	
	158-207	62.0-81.2	Slow → fast, fast on and slow off	
	208-212	81.6-83.1	Open	
	213-251	83.5-98.4	Random Slow-Fast Strobe	
	252-255	99.8-100	Open	
3	0-255	0-100	Dimmer	
4	0-3	0-1.2	Gobo White	
	4-7	1.6-2.7	Gobo1	
	8-11	3.1-4.3	Gobo2	
	12-15	4.7-5.9	Gobo3	
	16-19	6.3-7.5	Gobo4	
	20-23	7.8-9.0	Gobo5	
	24-27	9.4-10.6	Gobo6	
	28-31	11.0-12.2	Gobo7	
	32-35	12.5-13.7	Gobo8	
	36-39	14.1-15.3	Gobo9	
	40-43	15.7-16.9	Gobo10	
	44-47	17.3-18.4	Gobo11	
	48-51	18.8-20.0	Gobo12	
	52-55	20.4-21.6	Gobo13	
	56-59	22.0-23.1	Gobo14	
	60-63	23.5-24.7	Gobo15	
	64-67	25.0-26.2	Gobo16	
	68-71	26.6-27.8	Gobo17	
	72-78	28.2-31.7	Gobo1 Shake Slow-Fast Speed	
	79-86	32.1-36.0	Gobo2 Shake Slow-Fast Speed	
87-93	36.4-40.3	Gobo3 Shake Slow-Fast Speed		

Channel	DMX	Percentage	Function	Note
	94-101 102-108 109-116 117-123 124-131 132-138 139-146 147-153 154-161 162-168 169-176 177-183 184-191 192-199 200-225 226-229 230-255	40.7-44.7 45.0-48.6 49.0-52.9 53.3-57.2 57.6-61.5 61.9-65.4 65.8-69.8 70.1-74.1 74.5-78.4 78.8-82.3 82.7-86.6 87.0-90.9 91.3-95.2 91.3-95.2	Gobo4 Shake Slow-Fast Speed Gobo5 Shake Slow-Fast Speed Gobo6 Shake Slow-Fast Speed Gobo7 Shake Slow-Fast Speed Gobo8 Shake Slow-Fast Speed Gobo9 Shake Slow-Fast Speed Gobo10 Shake Slow-Fast Speed Gobo11 Shake Slow-Fast Speed Gobo12 Shake Slow-Fast Speed Gobo13 Shake Slow-Fast Speed Gobo14 Shake Slow-Fast Speed Gobo15 Shake Slow-Fast Speed Gobo16 Shake Slow-Fast Speed Gobo17 Shake Slow-Fast Speed Fast-Slow Rotation(CW) Stop Slow-Fast Rotation(CCW)	
5	0-63 64-87 88-111 112-135 136-159 160-183 184-207 208-231 232-255	0-24.7	Prism Unused Range Prism1 Prism2 Prism3 Prism4 Prism1+Prism2 Prism1+Prism4 Prism2+Prism3 Prism3+Prism4	
	0 1-63	0 0.4-24.7	Prism Rotation Unused Range Angle linear adjustment	
6	64-127 128-191 192-207 208-223 224-239 240-255	25.1-49.8 50.2-74.9 75.3-81.2 81.6-87.5 87.8-93.7 94.1-100	Three kinds of prism effect options: set the prism (prism 1, prism 2 or prism 1+2) in the 5th channel Prism rotates Fast →Slow, counterclockwise Prism rotates Slow →Fast, clockwise rotation Prism rotates Slow →Fast, 90° Rotate back and forth Prism rotates Slow →Fast, 180° Rotate back and forth Prism rotates Slow →Fast, 270° Rotate back and forth Prism rotates Slow →Fast, 360° Rotate back and forth	
7	0-15 16-27 28-39 40-51 52-63 64-75 76-87 88-99 100-111 112-123 124-135 136-147 148-159 160-171 172-183 184-195 196-207 208-219 220-231 232-243 244-255	0-5.9	Prism Macro Unused Range Fast →Slow, Prism1 Free switch Fast →Slow, Prism2 Free switch Fast →Slow, Prism3 Free switch Fast →Slow, Prism4 Free switch Fast →Slow, Prism1+ Prism2 Free switch Fast →Slow, Prism1+ Prism4 Free switch Fast →Slow, Prism2+ Prism3 Free switch Fast →Slow, Prism3+ Prism4 Free switch Fast →Slow, Prism 1 selected + Prism 2 free switch Fast →Slow, Prism 1 selected + Prism 4 free switch Fast →Slow, Prism 2 selected + Prism 1 free switch Fast →Slow, Prism 2 selected + Prism 3 free switch Fast →Slow, Prism 3 selected + Prism 2 free switch Fast →Slow, Prism 3 selected + Prism 4 free switch Fast →Slow, Prism 4 selected + Prism 1 free switch Fast →Slow, Prism 4 selected + Prism 3 free switch Fast →Slow, Prism 1 and prism 2 are interlocked and switched Fast →Slow, Prism 1 and prism 4 are interlocked and switched Fast →Slow, Prism 3 and prism 2 are interlocked and switched Fast →Slow, Prism 3 and prism 4 are interlocked and switched	
8	0-255	0-100	Frost	
9	0-255	0-100	Focus	
10	0-255	0-100	Pan	

Channel	DMX	Percentage	Function	Note
11	0-255	0-100	Pan Fine	
12	0-255	0-100	TILT	
13	0-255	0-100	TILT Fine	
14	0-25	0-9.8	Unused Range	
	26-30	10.2-11.8	Effects Reset	
	31-35	12.2-13.7	PAN/TILT Reset	
	36-40	14.4-15.7	Complete Reset	
	41-180	16.1-70.6	Unused Range	
	181-200	71.0-78.4	Lamp OFF	
	201-220	78.8-86.3	Unused Range	
	221-255	86.7-100	Lamp ON	

16CH PLUS

Channel	DMX	Percentage	Function	Note
1	0-4	0-1.56	Colour White	
	5-8	1.96-3.14	White+Red	
	9-12	3.53-4.71	Red	
	13-17	5.10-6.67	Red+Orange	
	18-21	7.06-8.24	Orange	
	22-25	8.63-9.80	Orange+Aquamarine	
	26-29	10.2-11.4	Aquamarine	
	30-34	11.8-13.3	Aquamarine+Green	
	35-38	13.7-14.9	Green	
	39-42	15.3-16.5	Green+Light Green	
	43-46	16.9-18.0	Light Green	
	47-51	18.4-20.0	Light Green+Lavender	
	52-55	20.4-21.6	Lavender	
	56-59	22.0-23.1	Lavender+Pink	
	60-63	23.5-24.7	Pink	
	64-68	25.1-26.7	Pink+Yellow	
	69-72	27.0-28.2	Yellow	
	73-76	28.6-29.8	Yellow+Magenta	
	77-80	30.2-31.8	Magenta	
	81-85	32.2-33.3	Magenta+Cyan	
	86-89	33.7-34.9	Cyan	
	90-93	35.3-36.5	Cyan+CTO 260	
	94-98	36.9-38.4	CTO 260	
	99-102	38.8-40.0	CTO 260+CTO 190	
	103-106	40.4-41.6	CTO 190	
107-110	42.0-43.1	CTO 190+CTB 8000		
111-115	43.5-45.1	CTB 8000		
116-119	45.5-46.7	CTB 8000+Blue		
120-123	47.1-48.2	Blue		
124-127	48.6-49.8	Blue+White		
128-191	50.2-74.9	CCW, Fast→Slow Rotation		
192-255	75.3-100	CW, Slow→Fast Rotation		
2	0-3	0-1.2	Strobe Closed	
	4-103	1.6-40.4	Slow-Fast Strobe	
	104-107	40.8-42.0	Open	
	108-157	42.4-61.6	slow →fast, fast off and slow on	
	158-207	62.0-81.2	Slow → fast, fast on and slow off	
	208-212	81.6-83.1	Open	
	213-251	83.5-98.4	Random Slow-Fast Strobe	
	252-255	99.8-100	Open	
3	0-255	0-100	Dimmer	
4	0-3		Gobo White	
	4-7		Gobo1	
	8-11		Gobo2	
	12-15		Gobo3	
	16-19		Gobo4	
	20-23		Gobo5	
	24-27		Gobo6	
	28-31		Gobo7	
	32-35		Gobo8	
	36-39		Gobo9	
	40-43		Gobo10	
	44-47		Gobo11	
	48-51		Gobo12	
	52-55		Gobo13	
	56-59		Gobo14	
	60-63		Gobo15	
	64-67		Gobo16	
	68-71		Gobo17	
	72-78		Gobo1 Shake Slow-Fast Speed	
	79-86		Gobo2 Shake Slow-Fast Speed	

Channel	DMX	Percentage	Function	Note
	87-93 94-101 102-108 109-116 117-123 124-131 132-138 139-146 147-153 154-161 162-168 169-176 177-183 184-191 192-199 200-225 226-229 230-255		Gob03 Shake Slow-Fast Speed Gob04 Shake Slow-Fast Speed Gob05 Shake Slow-Fast Speed Gob06 Shake Slow-Fast Speed Gob07 Shake Slow-Fast Speed Gob08 Shake Slow-Fast Speed Gob09 Shake Slow-Fast Speed Gob10 Shake Slow-Fast Speed Gob11 Shake Slow-Fast Speed Gob12 Shake Slow-Fast Speed Gob13 Shake Slow-Fast Speed Gob14 Shake Slow-Fast Speed Gob15 Shake Slow-Fast Speed Gob16 Shake Slow-Fast Speed Gob17 Shake Slow-Fast Speed Fast-Slow Rotation Stop Slow-Fast Rotation	
5	0-63 64-87 88-111 112-135 136-159 160-183 184-207 208-231 232-255	0-24.7	Prism Unused Range Prism1 Prism2 Prism3 Prism4 Prism1+Prism2 Prism1+Prism4 Prism2+Prism3 Prism3+Prism4	
	0 1-63	0 0.4-24.7	Prism Rotation Unused Range Angle linear adjustment	
Three kinds of prism effect options: set the prism (prism 1, prism 2 or prism 1+2) in the 5th channel				
6	64-127 128-191 192-207 208-223 224-239 240-255	25.1-49.8 50.2-74.9 75.3-81.2 81.6-87.5 87.8-93.7 94.1-100	Prism Rotation Unused Range Fast →Slow, counterclockwise Prism rotates Slow →Fast, clockwise rotation Prism rotates Slow →Fast, 90° Rotate back and forth Prism rotates Slow →Fast, 180° Rotate back and forth Prism rotates Slow →Fast, 270° Rotate back and forth Prism rotates Slow →Fast, 360° Rotate back and forth	
7	0-15 16-27 28-39 40-51 52-63 64-75 76-87 88-99 100-111 112-123 124-135 136-147 148-159 160-171 172-183 184-195 196-207 208-219 220-231 232-243 244-255	0-5.9	Prism Macro Unused Range Fast →Slow, Prism1 Free switch Fast →Slow, Prism2 Free switch Fast →Slow, Prism3 Free switch Fast →Slow, Prism4 Free switch Fast →Slow, Prism1+ Prism2 Free switch Fast →Slow, Prism1+ Prism4 Free switch Fast →Slow, Prism2+ Prism3 Free switch Fast →Slow, Prism3+ Prism4 Free switch Fast →Slow, Prism 1 selected + Prism 2 free switch Fast →Slow, Prism 1 selected + Prism 4 free switch Fast →Slow, Prism 2 selected + Prism 1 free switch Fast →Slow, Prism 2 selected + Prism 3 free switch Fast →Slow, Prism 3 selected + Prism 2 free switch Fast →Slow, Prism 3 selected + Prism 4 free switch Fast →Slow, Prism 4 selected + Prism 1 free switch Fast →Slow, Prism 4 selected + Prism 3 free switch Fast →Slow, Prism 1 and prism 2 are interlocked and switched Fast →Slow, Prism 1 and prism 4 are interlocked and switched Fast →Slow, Prism 3 and prism 2 are interlocked and switched Fast →Slow, Prism 3 and prism 4 are interlocked and switched	

Channel	DMX	Percentage	Function	Note
8	0-255	0-100	Frost	
9	0-255	0-100	Focus	
10	0-255	0-100	Pan	
11	0-255	0-100	Pan Fine	
12	0-255	0-100	TILT	
13	0-255	0-100	TILT Fine	
14	0-255	0-100	bare	
15	0-25 26-76 77-127 128-255		Reset Unused Range Effects Reset PAN/TILT Reset Complete Reset	
16	0-25 26-100 101-255		Lamp Control Unused Range Lamp OFF Lamp ON	