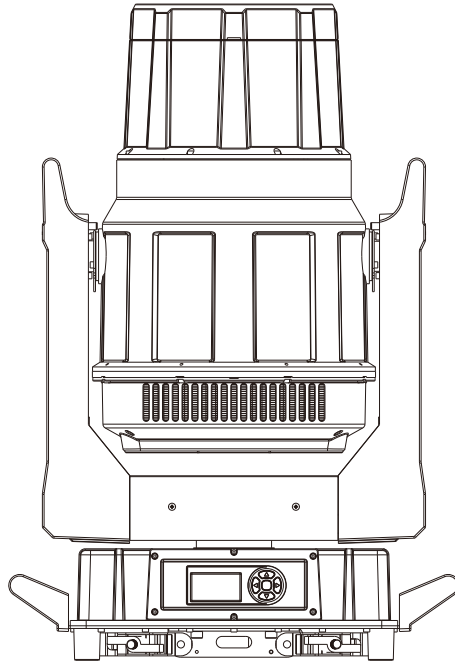


# LIGHT SKY<sup>®</sup>

FLY DRAGON LIGHTING EQUIPMENT CO.,LTD



## SHARK450

## USER MANUAL



Please read these user manual carefully before use!

## Contents

1. Safety information.....	2
2. Technical information.....	4
3. Attachment and body size.....	6
4. Installation and connecting.....	7
5. Control panel.....	11
6. Menu setting.....	12
7. Channel function.....	16
8. Circuit connecting diagram.....	19
9. Cleaning and maintenances.....	20
10. Troubleshooting.....	20
11. Duty exonerative and copyright protection.....	22

Congratulations on choosing our company product! We thank you for your custom.

- ◆Please note that this product, as all the others in the rich my company range, has been designed and made with total quality to ensure excellent performance and best meet your expectations and requirements.
- ◆Carefully read this user manual in its entirety and keep it safe for future reference. It is essential to know the information and comply with the instructions given in this manual to ensure the fitting is installed, used and serviced correctly and safely.
- ◆My company disclaims all liability for damage to the fitting or to other property or persons deriving from installation, use and maintenance that have not been carried out in conformity with this user manual, which must always accompany the fitting.
- ◆My company reserves the right to modify the characteristics stated in this user manual at any time and without prior notice.

## SAFETY INFORMATION



- This lighting fixture is for professional use only - it is not for household use.

### ■ Installation

Make sure all parts for fixing the projector are in a good state of repair.  
Make sure the point of anchorage is stable before positioning the projector.  
The safety chain must be properly hooked onto the fitting and secured to the framework.  
When suspending the fixture, ensure that the supporting structure and all hardware used can hold at least 10 times the weight of all the devices they support.

### ■ Mounting surface and fire protection

Please do not install the fixture onto combustible surface.  
Keep all combustible materials at least 1 m away from the fixture.  
Ensure a minimum clearance of 0.5m around the cooling fans and ventilation.  
Do not expose the front glass to sunlight or other strong light source from any angle.  
Lenses can focus the sun's rays inside the fixture, creating a potential fire hazard.



### ■ Maximum ambient temperature

The fixture is intended for indoor and outdoor application.  
Do not operate the fixture if the ambient temperature ( $T_a$ ) exceeds 40°C

$t_a 40^{\circ}\text{C}$

### ■ Protection against electrical shock

Connection must be made to a power supply system fitted with efficient earthing (Class I appliance according to standard EN 60598-1).  
It is, moreover, recommended to protect the supply lines of the projectors from indirect contact and/or shorting to earth by using appropriately sized residual current devices.



### ■ Connection to mains supply

The double insulation between the LV power supply and the control conductor on the fixture.  
Connection to the electricity mains must be carried out by a qualified electrical installer.  
Check that the mains frequency and voltage correspond to those for which the projector is designed as given on the electrical data label.  
This label also gives the input power to which you need to refer to evaluate the maximum number of fittings to connect to the electricity line, in order to avoid overloading.  
Don't use the power cable when the insulation is damaged.  
It must be the manufacturer or distributor or the professional person to change the damaged power cable in order to avoid any dangerous.



t: 100°C

■ **Temperature of the external surface**

The maximum temperature that can be reached on the external surface of the fitting, in a thermally steady state, is 100°C.



■ **Maintenance**

Before starting any maintenance work or cleaning the projector, cut off power from the mains supply. After switching off, do not remove any parts of the fitting, to avoid getting burnt for at least 30 minutes.



After this time the likelihood of the lamp exploding is virtually nil.

The fitting is designed to hold in any splinters produced by a lamp exploding.

The lenses must be mounted and, if visibly Damaged, they have to be replaced with genuine spares.



■ **Lamp**

The fitting mounts a high-pressure lamp that needs an external .

Immediately replace the lamp if damaged or deformed by heat.

The light source in this fixture shall be replaced by the manufacturer or its service agent or similar qualification.

Always disconnect from mains before replacing the lamp.



■ **Minimum distance of illuminated objects**

When the luminaire projects an object, the minimum distance of the luminaire to the flammable object is 12 meters.



■ **Protection against explosion**

The protection screen, lens or ultraviolet screen on the lamp can be damaged to the degree of failure if visible damage, such as a crack or deep mark, should be replaced.



■ **Protection optical radiation**

Never look directly into the light source. You risk injury to your retina, which may induce blindness.



Do not stare directly into the light output. Never look at an exposed lamp while it is lit.



The product implementation standard: GB 7000.1-2015 GB7000.217-2008

The products referred to in this manual conform to the European Community Directives to which they are subject:

Low Voltage 2014/35/EU

Electromagnetic Compatibility 2014/30/EU

## TECHNICAL INFORMATION

### ● Power supplies available

- 100V~240V~ 50/60Hz 5A

### ● Power

- 650W PF0.985

### ● Lamp

- Brand: USHIO NSL450
- Lamp power: 450W
- Colour temperature: 6900K
- Average life: 1500h

### ● Motors

- 15 ultra-quiet motors

### ● Inputs : DMX512

### ● Channel : 17CH

### ● Color

- 14 colors + white

### ● Color mixing system

- CMY color System

### ● Static gobo wheel

- 11Gobo + 1 white + 3 animation range  
Bi-direction flow water animation effect

### ● Prism

- 8 Prism+16 double Prism+multi combination effect

### ● Beam angle: 1.8°

### ● Wash angle

- 6-45° independent Wash effect

### ● Focus and Lens

- High precision optical lens,linear adjustment

### ● Strobe

- Double lens strobe(0.5-9 times/second)

### ● Dimmer

- 0-100% linear adjustment

### ● X/Y Travel: 540°/240°

### ● X/Y Resolution: 2.11°/0.98°

### ● X/Y Speed: 2.7S/1.6S

### ● Lighting Size : 509X320X742MM

### ● Box Size : 810X580X395MM

N.W: 34.5kg , G.W: 39kg

### ● Flycase Size (1 sets) :

640X620X825MM

N.W: 34.5kg , G.W: 69kg

### ● IP set

- Automatic chang battery, IP could be set without electricity.

### ● Software upgrade

- Insert USB upgrade software.

### ● Display Menu :

- The display panel adopts a 2.0-inch LCD12864 LCD screen, which is used in both Chinese and English languages to facilitate quick operation and browse menus.

- Display board can record device's using time , show device's temperature, channel data and software version .

### ● Features

- Remote control lamp's swith function display light and lamp's using time.automaticallay adjust cooling fan's speed,Drop power when strobe lens.

### ● IP RATE/IP:IP66

### ● Safety Devices

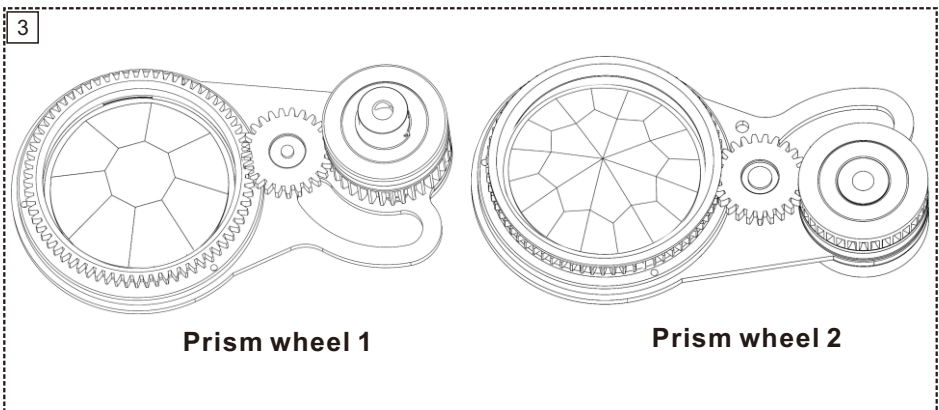
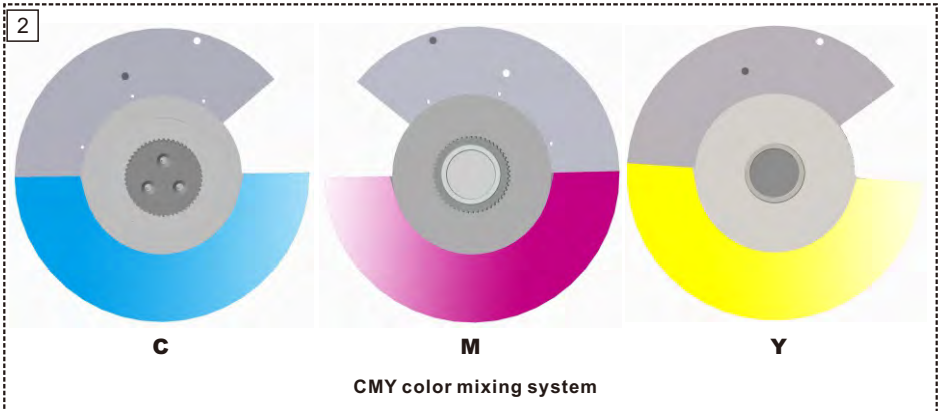
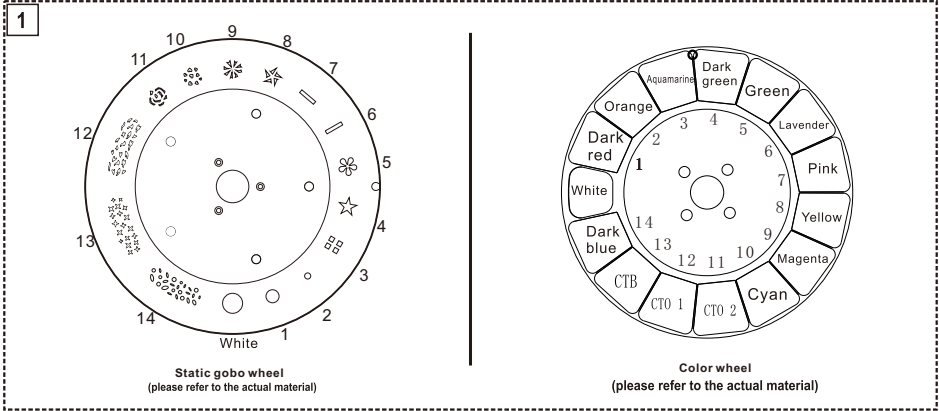
- BIPOlar circuit breaker with thermal protection.
- Automatic break in power supply in case of overheating or failed operation of cooling system.

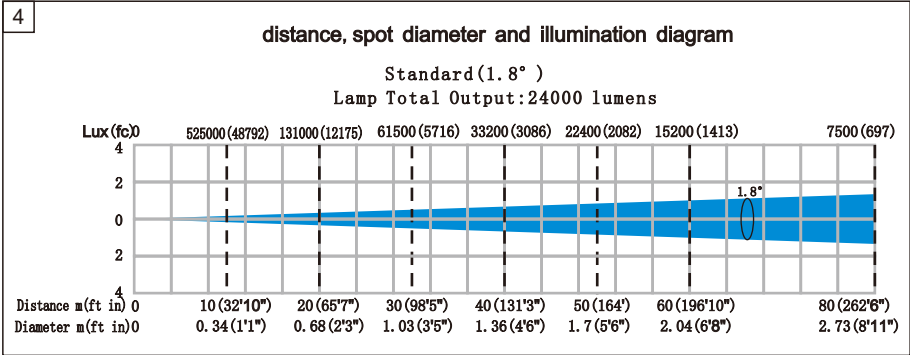
### ●Cooling

- Forced ventilation with axial fans.

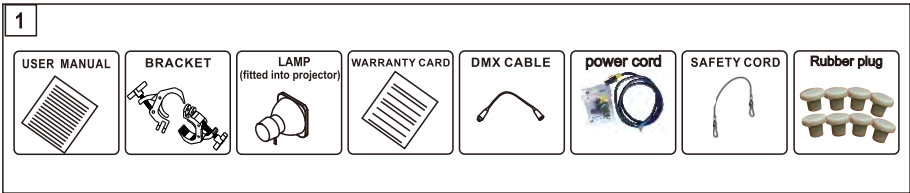
### ●Structure

- Fully aluminum alloy Die-casting case, patent, fashion, simple & laconic.
- The vertical direction of the use of hidden locking device, convenient transportation and maintenance.
- CE Marking
- In conformity with the European Union Low Voltage Directive 2014/35/EU and Electromagnetic compatibility Directive 2014/30/EU.

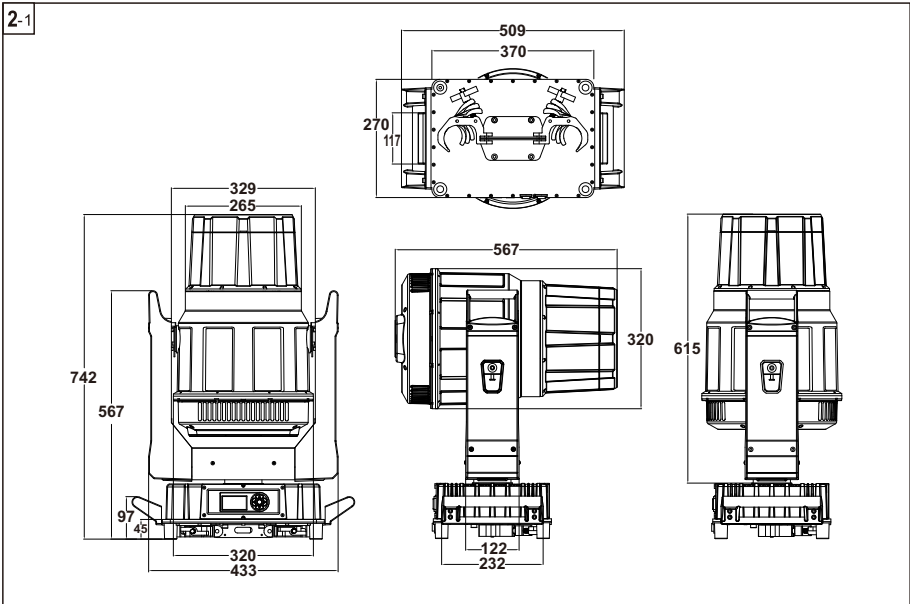




## ATTACHMENT AND BODY SIZE

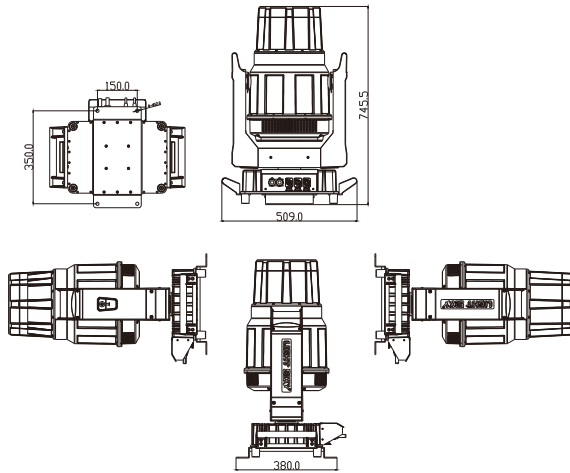


Attachment contents- Fig. 1



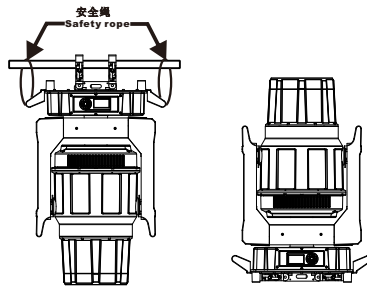
Body Size---Fig 2

2-2



## INSTALLATION AND CONNECTING

3



Installing the projector- Fig. 3

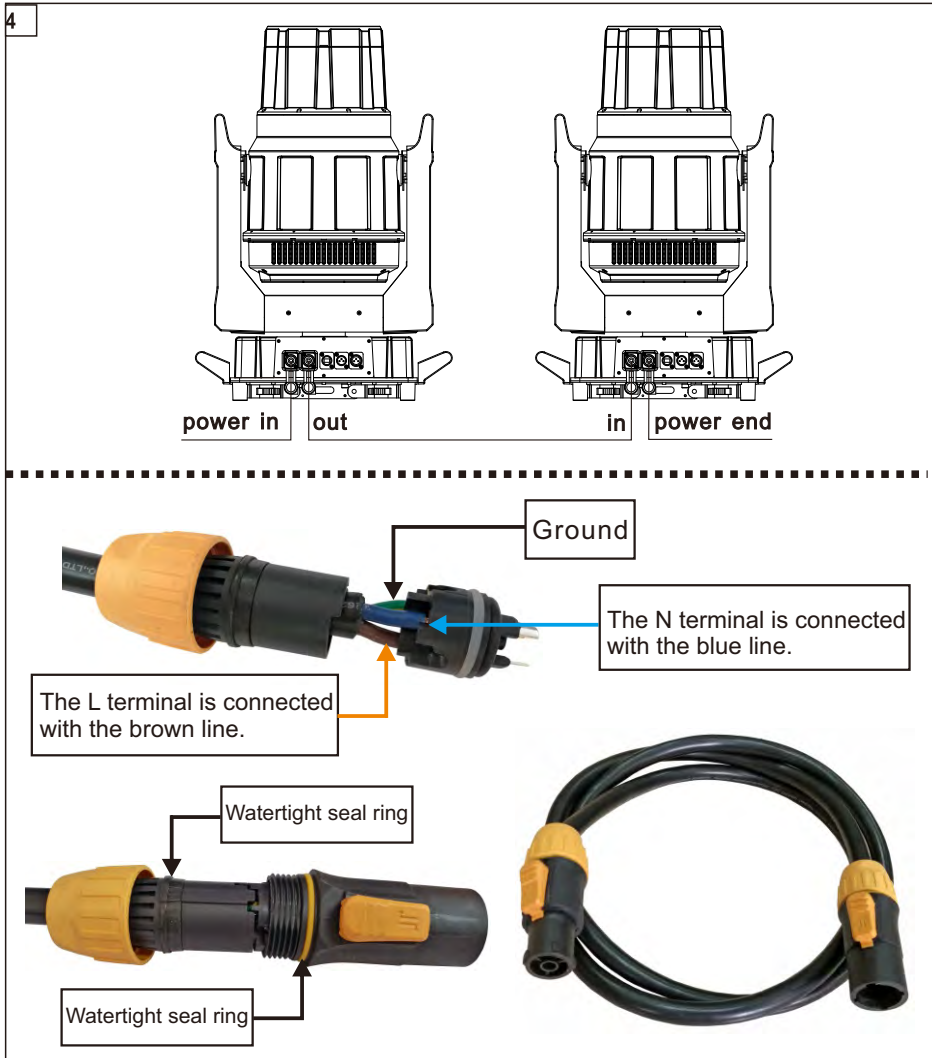
The projector can be installed on the floor resting on special rubber feet, on a truss or on the ceiling or wall.  
 WARNING:with the exception of when the projector is positioned on the floor, the safety rope must be fitted.  
 This must be securely fixed to the support structure of the projector and then connected to the base handle.

Make sure all parts for fixing the projector are in a good state of repair.

Make sure the point of anchorage is stable before positioning the projector.

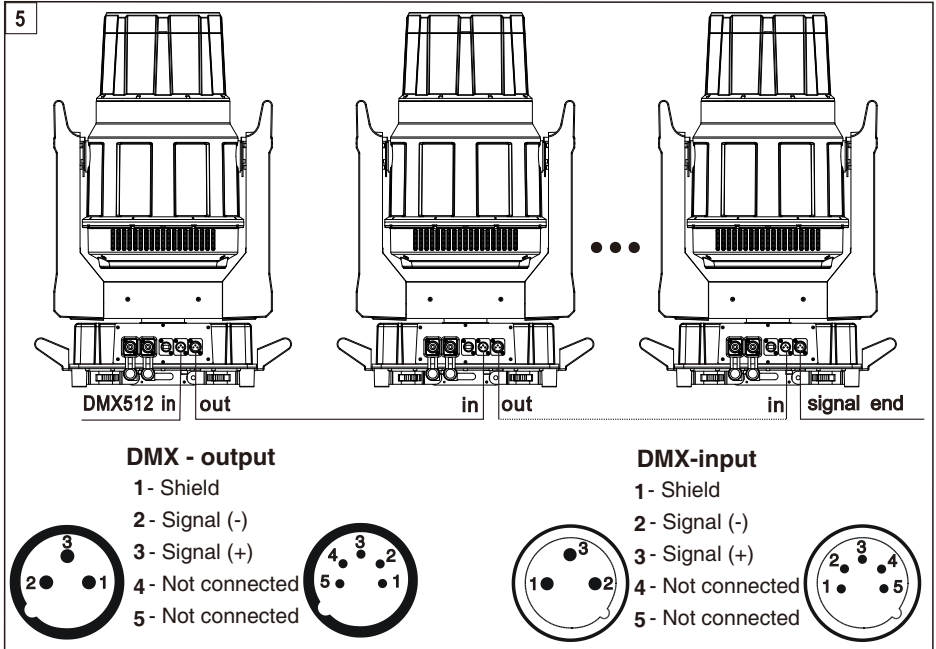
When suspending the fixture, ensure that the supporting structure and all hardware used can hold at least 10 times the weight of all the devices they support.





Connecting to the mains supply ---Fig 4

- The stage lighting delivers a three-core waterproof plug.
- The stage lighting power supply can not be more than 2pcs pre line.
- Connection to the electricity mains must be carried out by a qualified electrical installer.
- After doing the above operation and making sure all the devices had been installed with natural operate, press the power switch to check whether everything is working normally.



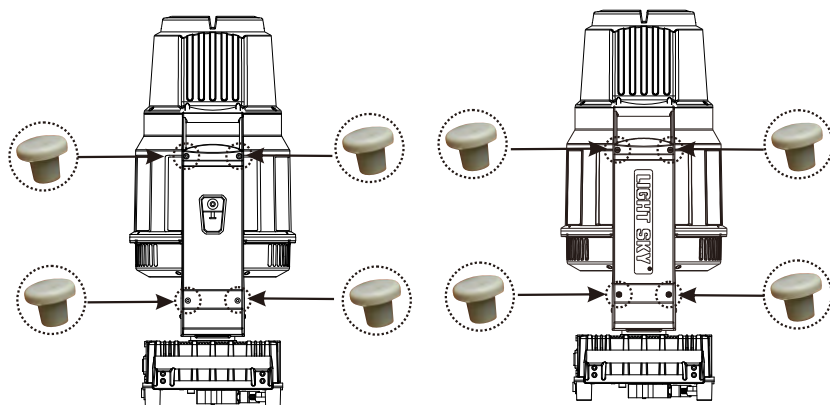
**Connecting to the control signal line (DMX) - Fig. 5**

© Please use the round 3 or 5-pin XLR plugs & sockets offered by menu manufacture to connect the first projector's output to the second projector's input and connect the second projector's output to the third projector's input. And in the same way for the rest, eventually connect the last projector's output, all the projectors are together

© The projectors's control signal output or input by using the 3 or 5-pin XLR plug and socket. If need to lengthen the communication cable, please make sure the both side of 3 or 5-pin plug is one to one. (one to one, two to two, three to three). Otherwise, the communication cable will be interrupted. The communicate cable is 2-cord screened cable 75Ω resistance with each core is at least a 0.5mm diameter. (**Caution:** All the inside leading wire of 3 or 5-pin XLR plug couldn't touch each other or plinth).

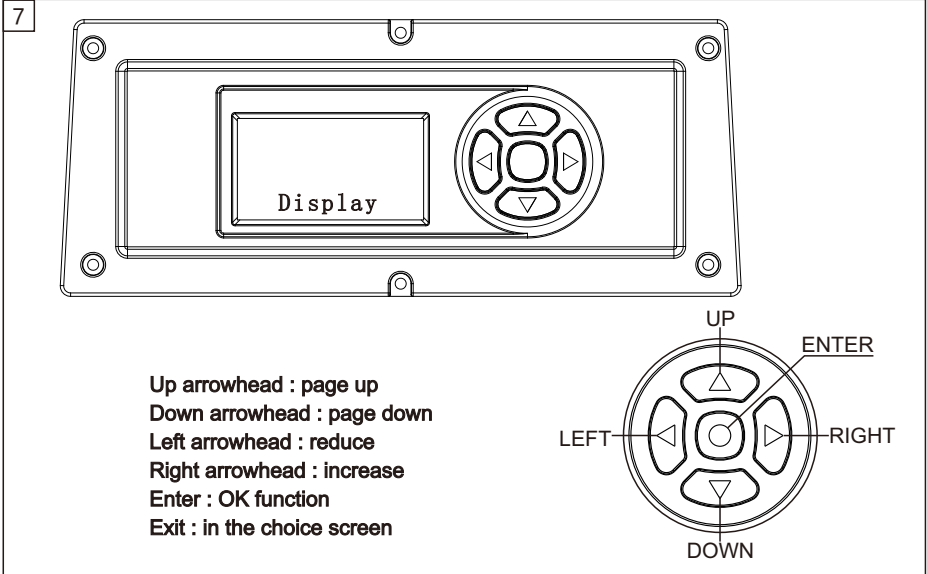
© Recommend to use the DMX signal terminator for the installation to avoid the electronic noise damage the digital control signal. Simply speaking, DMX terminator is an XLR connector with a 120Ω 1/2W resistor connected across pin 2 and 3. Which is then plugged into the output socket on the last projector in the chain. Refer to the connection.

6

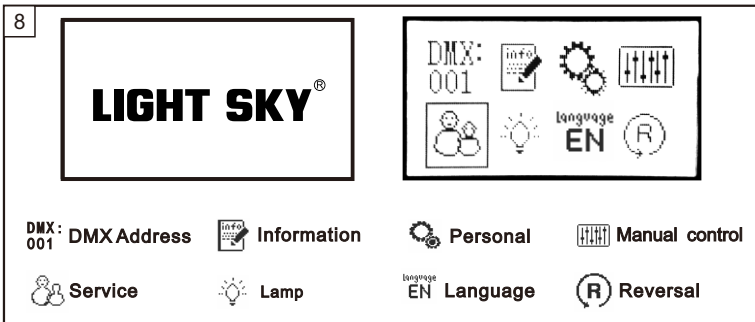


Please install the rubber plug before use.

**CONTROL PANEL**



- Press the switch.The projector starts resetting the effects.  
At the same time,the following information scrolls on the display  
(please refer to the actual material)



**MENU SETTING(V1.0)**

Main menu	I menu	II menu	III menu	
DMXAddress	→ Address:001-512			
Information	Total Time	→ Power:****(h)		
		→ Lamp ON:****(h)		
	Lamp hours	→ Total:****(h)		
		→ Lamp open:****(h)		
	Temperature	→ PVG_TEM:***.*		
		→ Board:***.*		
	RDM UID	→ RDM UID 3888:00000000		
	MOTOR UID/UID	→ 0000000000000000000000000000000000XY:FA IL		
	Fan speed/Voltag	→	1. L_Fan:00.0V	
			2. Fan1:00.0 V	
			3. Fan2:00.0 V	
			4. L_Fan:0000 RPM	
			5. Fan1:0000 RPM	
			6. Fan2:0000 RPM	
			7. Fan3:0000 RPM	
			8. Fan4:0000 RPM	
	DMX live	→	1. Cyan (***)	
			2. Magenta (***)	
			3. Yellow (***)	
			4. Colour (***)	
			5. Shutter (***)	
			6. Dimmer (***)	
			7. Gobo (***)	
			8. Prism (***)	
			9. PrismRota. (***)	
			10. PrismMacro (***)	
			11. Frost (***)	
12. Focus (***)				
13. Pan (***)				
14. Pan Fine (***)				
15. Tilt (***)				
16. Tilt Fine (***)				
17. Function (***)				
System version	→	XY Board:V*. **		
		12M Board:V*. **		
		CMY Board:V*. **		
		Fan Board:V*. **		
		Dis Board:V*. **		
Return (ESC)				

Main menu	I menu	II menu	III menu
Personal	Auto lamp on	→ OFF ON	
	P/T invert	→ Pan invert	→ OFF ON
		Tilt invert	→ OFF ON
	Display	→ Language	→ English Chinese
		Back Light	→ Open Auto close(15s)
		Reversal	→ Normal Rota. 180
		Backlight blink	→ ON OFF
		Return(ESC)	
	Return(ESC)		
	Manual control	Channel control	→ 1. Cyan (***)
2. Magenta (***)			
3. Yellow (***)			
4. Colour (***)			
5. Shutter (***)			
6. Dimmer (***)			
7. Gobo (***)			
8. Prism (***)			
9. PrismROTA. (***)			
→ 10. PrismMacro (***)			
11. Frost (***)			
12. Focus (***)			
13. Pan (***)			
14. Pan Fine (***)			
15. Tilt (***)			
16. Tilt Fine (***)			
17. Function (***)			
Return(ESC)			
Reset		→ system reset	
		Pan/Tilt reset	
	Head motor reset		
	Return(ESC)		

Main menu	I menu	II menu	III menu		
	Test	Test P/T	→ STEP ***		
		Test effect	→ STEP ***		
		Test all	→ STEP ***		
		Return (ESC)			
	Return (ESC)				
Service	Error list				
	Clean error	→ Keep Clean			
	Calibration	Pan 000-255			
		Tilt 000-255			
		Dimmer1 000-255			
		Dimmer2 000-255			
		Focus 000-255			
		NC 000-255			
		Colour 000-255			
		Stat. Gobo 000-255			
		Prism1 000-255			
		Prism2 000-255			
		PrismRota. 000-255			
		Frost 000-255			
		Cyan 000-255			
		Magenta 000-255			
	Yellow 000-255				
	Return (ESC)				
	Factory	Default			
		Time clean			
		Developer			
Firmware update					
Manual Fan Vol		OFF			
	ON				

Main menu	I menu	II menu	III menu	
Service	Factory	→ Fan Speed To Lamp	→ OFF	
			ON	
	→ Fan mode	Return (ESC)		
		Standard mode		
		→ 3000-4000M		
	4000-5500M			
	Return (ESC)			
Lamp	→ Off			
	On			
Language	→ English			
	Chinese			
Reversal	→ Normal			
	Rota. 180			



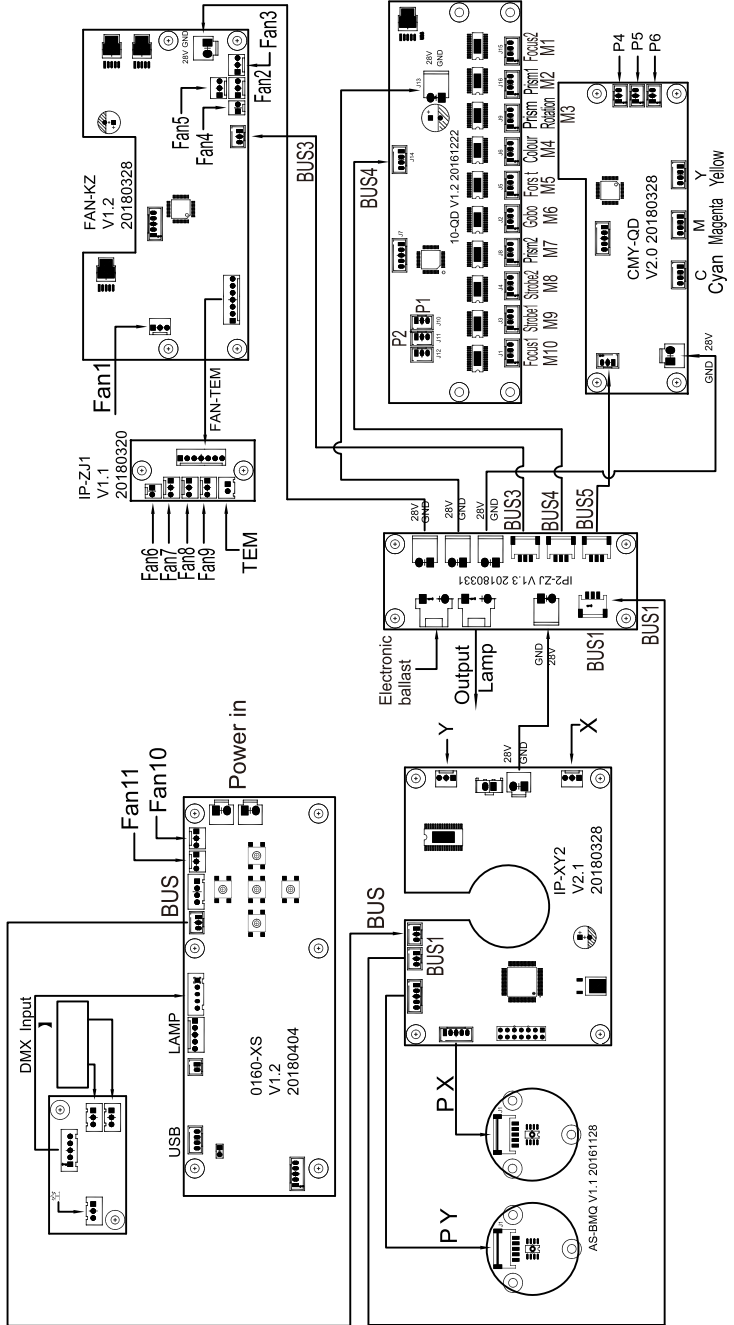
**CHANNEL FUNCTION(V1.0)**

Channel	DMX	Percentage	Function
<b>1</b>	0-255	0-100	<b>Cyan</b>
<b>2</b>	0-255	0-100	<b>Magenta</b>
<b>3</b>	0-255	0-100	<b>Yellow</b>
<b>4</b>			<b>Colour</b>
	0-4	0-1.56	White
	5-8	1.96-3.14	White+Red
	9-12	3.53-4.71	Red
	13-17	5.10-6.67	Red+Orange
	18-21	7.06-8.24	Orange
	22-25	8.63-9.80	Orange+Aquamarine
	26-29	10.2-11.4	Aquamarine
	30-34	11.8-13.3	Aquamarine+Green
	35-38	13.7-14.9	Green
	39-42	15.3-16.5	Green+Light Green
	43-46	16.9-18.0	Light Green
	47-51	18.4-20.0	Light Green+Lavender
	52-55	20.4-21.6	Lavender
	56-59	22.0-23.1	Lavender+Pink
	60-63	23.5-24.7	Pink
	64-68	25.1-26.7	Pink+Yellow
	69-72	27.0-28.2	Yellow
	73-76	28.6-29.8	Yellow+Magenta
	77-81	30.2-31.8	Magenta
	82-85	32.2-33.3	Magenta+Cyan
	86-89	33.7-34.9	Cyan
	90-93	35.3-36.5	Cyan+CTO 260
	94-98	36.9-38.4	CTO 260/CTO2
	99-102	38.8-40.0	CTO 260+CTO 190/CTO2+CTO1
	103-106	40.4-41.6	CTO 190/CTO1
	107-110	42.0-43.1	CTO 190+CTB 8000/CTO1+CTB
111-115	43.5-45.1	CTB 8000/CTB	
116-119	45.5-46.7	CTB 8000+Blue	
120-123	47.1-48.2	Blue	
124-127	48.6-49.8	Blue+White	
128-191	50.2-74.9	CCW, Fast→Slow Rotation	
192-255	75.3-100	CW, Slow→Fast Rotation	

Channel	DMX	Percentage	Function
<b>5</b>			<b>Strobe</b>
	0-3	0-1.2	Closed
	4-103	1.6-40.4	Slow-Fast Strobe
	104-107	40.8-42.0	Open
	108-157	42.4-61.6	Opening pulses in sequences from slow fast
	158-207	62.0-81.2	Closing pulses in sequences from fast slow
	208-212	81.6-83.1	Open
	213-251	83.5-98.4	Random Slow-Fast Strobe
	252-255	99.8-100	Open
<b>6</b>	0-255	0-100	<b>Dimmer</b>
<b>7</b>			<b>Gobo</b>
	0-3	0-1.2	White
	4-7	1.6-2.7	Gobo1
	8-11	3.1-4.3	Gobo2
	12-15	4.7-5.9	Gobo3
	16-19	6.3-7.5	Gobo4
	20-23	7.8-9.0	Gobo5
	24-27	9.4-10.6	Gobo6
	28-31	11.0-12.2	Gobo7
	32-35	12.5-13.7	Gobo8
	36-39	14.1-15.3	Gobo9
	40-43	15.7-16.9	Gobo10
	44-47	17.3-18.4	Gobo11
	48-51	18.8-20.0	Gobo12
	52-55	20.4-21.6	Gobo13
	56-59	22.0-23.1	Gobo14
	60-73	23.5-28.6	Gobo1 Shake Slow-Fast Speed
	74-87	29.0-34.1	Gobo2 Shake Slow-Fast Speed
	88-101	31.4-39.6	Gobo3 Shake Slow-Fast Speed
	102-115	40.0-45.1	Gobo4 Shake Slow-Fast Speed
	116-129	45.5-50.6	Gobo5 Shake Slow-Fast Speed
	130-143	51.0-56.1	Gobo6 Shake Slow-Fast Speed
	144-157	56.5-61.6	Gobo7 Shake Slow-Fast Speed
	158-171	62.0-67.1	Gobo8 Shake Slow-Fast Speed
	172-185	67.5-72.6	Gobo9 Shake Slow-Fast Speed
	186-199	72.9-78.0	Gobo10 Shake Slow-Fast Speed
	200-213	78.4-83.5	Gobo11 Shake Slow-Fast Speed
	214-227	83.9-89.0	Gobo12 Shake Slow-Fast Speed
	228-241	89.4-94.5	Gobo13 Shake Slow-Fast Speed
	242-255	94.9-100	Gobo14 Shake Slow-Fast Speed

Channel	DMX	Percentage	Function
<b>8</b>	<b>Prism</b>		
	0-63	0-24.7	Unused Range
	64-127	25-49.8	Prism1
	128-191	50.2-74.9	Prism2
	192-255	75.3-100	Prism1+Prism2
<b>9</b>	<b>Prism Rotation</b>		
	0	0	Unused Range
	1-63	0.4-24.7	Angular linear regulation
	Selection of three prism effects: setting prism (prism 1, prism 2 or prism 1+2) in channel 5;		
	64-127	25.1-49.8	CCW, Fast → Slow
	128-191	50.2-74.9	CW, Slow → Fast
	192-207	75.3-81.2	Slow → Fast, 90° Rotating back and forth
	208-223	81.6-87.5	Slow → Fast, 180° Rotating back and forth
	224-239	87.8-93.7	Slow → Fast, 270° Rotating back and forth
	240-255	94.1-100	Slow → Fast, 360° Rotating back and forth
<b>10</b>	<b>Prism Macro</b>		
	0-15	0-5.9	Unused Range
	16-55	6.3-21.6	Fast → Slow, 8 prism free switch
	56-95	22.0-37.3	Fast → Slow, 16prism free switch
	96-135	37.6-52.	Fast → Slow, 8 prism+16prism Simultaneous free switch
	136-175	53.3-68.	Fast → Slow, 8 prism The selected+ 16prism free switch
	176-215	69.0-84.	Fast → Slow 16 prism The selected+ 8prism free switch
	216-255	84.7-100	Fast → Slow, 8 prism and 16prism Interlock switch
<b>11</b>	0-255	0-100	<b>Frost</b>
<b>12</b>	0-255	0-100	<b>Focus</b>
<b>13</b>	0-255	0-100	<b>Pan</b>
<b>14</b>	0-255	0-100	<b>Pan Fine</b>
<b>15</b>	0-255	0-100	<b>TILT</b>
<b>16</b>	0-255	0-100	<b>TILT Fine</b>
<b>17</b>	<b>Function</b>		
	0-25	0-9.8	Unused Range
	26-30	10.2-11.8	Effects Reset
	31-35	12.2-13.7	PAN/TILT Reset
	36-40	14.4-15.7	Complete Reset
	41-180	16.1-70.6	Unused Range
	181-200	71.0-78.4	Lamp OFF
	201-220	78.8-86.3	Unused Range
	221-255	86.7-100	Lamp ON

Circuit connecting diagram



## CLEANING AND MAINTENANCES

- In order to ensure the projector could work normally. It should be kept clean always. It is recommended that the fans and ventilation in let should be cleaned every 15 days. The lens and dichroic colour filters should also be regularly cleaned to maintain an optimum light output. Do not use any type of solvent on dichroic colour filters. It will damage the projector.
- Suggestion: The continue usage of the light don't exceed 4 hours. Or it will shorter the usage of the lamp. Please use the alternative operation to solve this problems.
- Please disconnect the power supply when begin to maintenace or takedown the light. Please let the parts cool down 10 minute at least then begin to install. If need to replace the lamp, please wait 10 minute again at least to let the lamp cool down completely or which maybe burned down.
- Please inspect the lens or other moving parts timing and keep them clear and static. If find anything damaged or losseness, must change a lamp or fix the lamp in order to avoid the accident.
- The light use the strong cool system. It is easy for the dirty to be collected. Please do clear the hot-sak one time two week at least.
- After you use the light, please check the intake place whether there are some wastepaper, please clean it up, or the windmill will break down and causing fire.

## TROUBESHOOTING

It is recommended some solution for some normal trouble shooting. Any unsoluted problems should always be handle by the professional person. Disconnect the power supply before maintenance the light.

### ■ Lamp off:

- Please check if install the suitable lamp.
- Please check the connection of the power supply or switch is ok.
- Please check whether the lamp will reach the end of their life can explode, please replace a same description lamp.
- Please measure if the power supply is enough.
- Please check if the operation is correct. Please wait 30 minutes at least till the lamp cool down enough, then could the connect the power supply, which could be normal work.
- Please check whether the DMX 512 controller pass the "turn on" order.
- Please check the connection of the trigger circuit is loose contact.
- Please check whether the connected point of the trigger point is loose contact, faster the connect cable.
  - Please check if the switch of the temperature is damaged.
- Check the bottom box driver board "WK" socket if the resistance 0 between the two line.

### ■ The light beam is dark, not inhomogeneous:

- When the lamp is to the usage life, the light is not enough, please change a new one for the same description.
- Please check the reflector parts is dirty. Keep them clear.
- Please measure if the power supply is enough.
- Small adjusting is suitable for change height or screw system till get a ideal light beam.

**■ The light shadow is fogging:**

- ⊙ Please check the data on the DMX 512 controller is suitable for the electric focus.
- ⊙ Please check the mechanical parts is jamming. After cleaning, please add some temperature -durable juice.

**■ The light works interruptly:**

- ⊙ Please check if the fan works normally or mote clogging.
- ⊙ Please check whether the abstract heat have the mote clogging.
- ⊙ Please check if the lamp is to the usage life.
- ⊙ Please check if the power supply is enough, the connection of the power supply or the circuit are good.
- ⊙ Please check if the switch of the sup-temperature is good.

**■ Though the light is lighting, but it couldn't accept the control order:**

- ⊙ Please check the start code address and the function option are correct.
- ⊙ Please check whether the communicate control cable is on good connection or the cable is too long or interrupt.
- ⊙ Please check the control system is not valid, check the signal amplifier of chain connected is valid.
- ⊙ Please check whether the communicate cable is too long or the other equipment is mutually conjugate.
- ⊙ Please arrange the wire well ,, Shorter the signal cable , put the high voltage cable and low voltage cable separ -ately .
- ⊙ Add the signal amplify isolator.
- ⊙ Signal cable is used the excellent screening doublet (Resistance 75  $\Omega$  )
- ⊙ The end of the light end and the end resistance.
- ⊙ When the lamp don't cool down enough but do the incorrect operation will let the trigger up to super- high voltage leak. It will damage the electric circuit and communicate IC or CPU . Under this condition, please change the PCB board.

**■ the light can't move:**

- ⊙ Please check if the power supply is suitable for the light voltage data.
- ⊙ Please check the fuse of input voltage is defective.
- ⊙ Please check the light if they are deforming, inside parts is broken, become wet...etc will lead the loose contact.
- ⊙ Please check if the inside lead wire and the connector is loose.
- ⊙ Please check the electric parts (such as the switch, transformer, ballast, electric capacity, piezoresistor, filter, PCB board, controller to motor) is short-circuit or burn down.

**■ Part of the projector couldn't be responded to the controlling order:**

- ⊙ Please check the order is correct to the moving.
- ⊙ Please check the mechanical part is deformation or loose.
- ⊙ Please check the function to the motor socket is loose or drive chip is burn down.
- ⊙ Please check the wire of the motor is cut at zig point.
- ⊙ Please check these function to the motor is damaged.

**■ On working, the pan & tilt couldn't work normally:**

- ⊙ Please check according to the above step by step.
- ⊙ Please check the belt of the X.Y is broken.
- ⊙ Please check the X/Y direction data to the receiver is damage.
- ⊙ Re-projector reset.

## **DUTY EXONERATIVE AND COPYRIGHT PROTECTION**

- ◇The lamp belongs to consumption products that is not guarantee to keep it in good repair.
- ◇Any products broken that didn't according to the instruction is not guarantee to keep it in good repair.
- ◇The commentary for all the instruction belongs to the supplier in final.
- ◇No authorize can't copy.
- ◇The information in this manual may be changed in the future,the company reserve the right to change the data without any advise.

# **LIGHT SKY<sup>®</sup>**

**Tel:0086-20-61828288**

**Fax:0086-20-61828188 Pc:510800**

**Web:www.lightsky.com.cn**

**E-mail: flydragon@lightsky.com.cn**

**asia@lightsky.com.cn**

**india@lightsky.com.cn**

**europe@lightsky.com.cn**

**latinamerica@lightsky.com.cn**

**middle-east@lightsky.com.cn**

**american@lightsky.com.cn**

**Address: No. 43, Yunfeng Road, Xiuquan Street,  
Huadu District, Guangzhou, China**



**LIGHT SKY<sup>®</sup>**