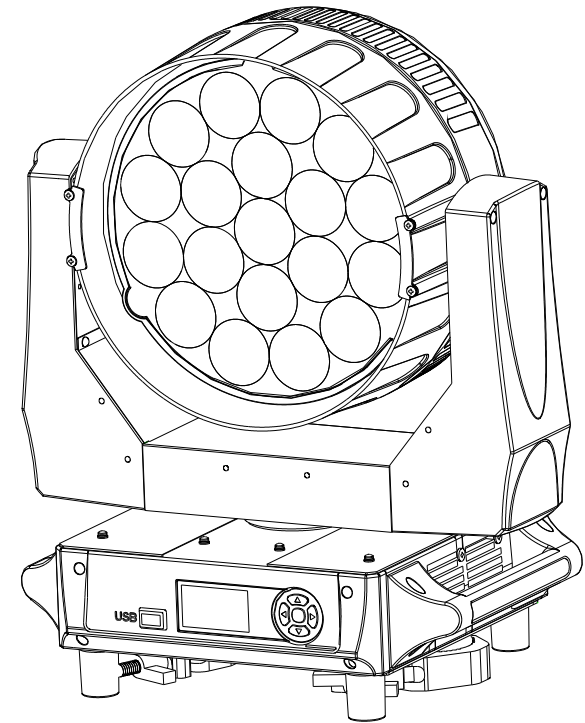


# LIGHT SKY<sup>®</sup>

广州市升龙灯光设备有限公司  
FLY DRAGON LIGHTING EQUIPMENT CO.,LTD



## TX1940D 使用说明书 USER MANUAL

Please read these user manual carefully before use!  
使用前请仔细阅读本产品使用说明书!

## LIGHT SKY<sup>®</sup>

Tel:0086-20-61828288

Fax:0086-20-61828188 Pc:510800

Web:www.lightsky.com.cn

E-mail: flydragon@lightsky.com.cn

asia@lightsky.com.cn

india@lightsky.com.cn

europa@lightsky.com.cn

latinamerica@lightsky.com.cn

middle-east@lightsky.com.cn

american@lightsky.com.cn

Address: No. 43, Yunfeng Road, Xiuquan Street,  
Huadu District, Guangzhou, China

地址: 广州市花都区秀全街云峰路43号



LIGHT SKY<sup>®</sup>



## CHANNEL FUNCTION/通道功能

### Standard (21CH)/标准模式(21CH)

Channel 通道	DMX值	Percentage 百分比	function/功能	Note备注
1	0-255		Pan/水平	
2	0-255		Pan Fine/水平微调	
3	0-255		Tilt/垂直	
4	0-10		Tilt Fine/垂直微调	
5	0-25		No Function/无功能	
	26-30		Zoom Reset/缩放复位	
	31-40		P/T Reset/水平垂直复位	
	41-50		System Reset/整机复位	
	51-255		No Function/无功能	
6	0-255		Zoom/缩放	
7	0-255		Dimmer/调光	
8	0-255		Dimmer Fine/调光微调	
9	0-9	0-3.5	NO Function/无功能	
	10-49	3.9-19.2	Slow closing, Fast opening, slow → fast /慢速关闭快速打开 由慢到快	
	50-89	19.6-34.9	Fast closing, Slow opening, Slow → Fast /快速关闭慢速打开 由慢到快	
	90-119	35.3-46.7	Slow closing, Slow open, Slow → Fast /慢速关闭慢速打开 由慢到快	
	120-179	47.1-70.2	Random strobe, Slow → Fast/随机频闪, 由慢到快	
	180-249	70.6-97.6	Synchronous strobe, slow → fast/同步频闪, 由慢到快	
250-255	98-100	NO Function/无功能		
10	0-255		Macro/颜色宏	
11	0-255		CCT/色温	
12	0-255		Static Effect/静态效果	
13	0-255		Move Effect/动态效果	
14	0-255		Move Effect Speed/动态效果速度	
15	0-255		LED Effect Delay /LED效果延时	
16	0-255		Background Color/背景颜色	
17	0-255		Background Dimmer/背景调光	
18	0-255		Red/红	
19	0-255		Green/绿	
20	0-255		Blue/蓝	
21	0-255		White/白	

## Mode2 (40CH) / 模式2 (40CH)

Channel 通道	DMX值	Percentage 百分比	function/ 功能	Note备注
1	0-255		Pan/水平	
2	0-255		Pan Fine/水平微调	
3	0-255		Tilt/垂直	
4	0-255		Tilt Fine/垂直微调	
5	0-25		No Function/无功能	
	26-30		Zoom Reset/缩放复位	
	31-40		P/T Reset/水平垂直复位	
	41-50		System Reset/整机复位	
	51-255		No Function/无功能	
6	0-255		Zoom/缩放	
7	0-255		Dimmer/调光	
8	0-255		Dimmer Fine/调光微调	
9	0-9	0-3.5	NO Function/无功能	
	10-49	3.9-19.2	Slow closing, Fast opening, slow → fast /慢速关闭快速打开, 由慢到快;	
	50-89	19.6-34.9	Fast closing, Slow opening, Slow → Fast /快速关闭慢速打开, 由慢到快;	
	90-119	35.3-46.7	Slow closing, Slow open, Slow → Fast /慢速关闭慢速打开, 由慢到快;	
	120-179	47.1-70.2	Random strobe, Slow → Fast/随机频闪, 由慢到快	
	180-249	70.6-97.6	Synchronous strobe, slow → fast/同步频闪, 由慢到快	
250-255	98-100	NO Function/无功能		
10	0-255		Macro/颜色宏	
11	0-255		CCT/色温	
12	0-255		StaticEffect静态效果	
13	0-255		Move Effect动态效果	
14	0-255		Move EffectSpeed/ 动态效果速度	
15	0-255		LED EffectDelay /LED 效果延时	
16	0-255		Background Color/背景颜色	
17	0-255		Background Dimmer/ 背景调光	
18	0-255		Red/红	
19	0-255		Green/绿	
20	0-255		Blue/蓝	
21	0-255		White/白	
22	0-255		Color1 / 颜色1	
23	0-255		Color2 / 颜色2	
24	0-255		Color3 / 颜色3	
25	0-255		Color4 / 颜色4	
26	0-255		Color5 / 颜色5	
27	0-255		Color6 / 颜色6	
28	0-255		Color7 / 颜色7	
29	0-255		Color8 / 颜色8	
30	0-255		Color9 / 颜色9	
31	0-255		Color10 / 颜色10	
32	0-255		Color11 / 颜色11	
33	0-255		Color12 / 颜色12	
34	0-255		Color13 / 颜色13	
35	0-255		Color14 / 颜色14	
36	0-255		Color15 / 颜色15	
37	0-255		Color16 / 颜色16	
38	0-255		Color17 / 颜色17	
39	0-255		Color18 / 颜色18	
40	0-255		Color19 / 颜色19	

### Mode3 (93CH) / 模式3 (93CH)

Channel 通道	DMX值	Percentage 百分比	function/ 功能	Note备注
1	0-255		Pan/水平	
2	0-255		Pan Fine/水平微调	
3	0-255		Tilt/垂直	
4	0-255		Tilt Fine/垂直微调	
5	0-25		No Function/无功能	
	26-30		Zoom Reset/缩放复位	
	31-40		P/T Reset/水平垂直复位	
	41-50		Svstem Reset/整机复位	
	51-255		No Function/无功能	
6	0-255		Zoom/缩放	
7	0-255		Dimmer/调光	
8	0-255		Dimmer Fine/调光微调	
9	0-9	0-3.5	NO Function/无功能	
	10-49	3.9-19.2	Slow closing, Fast opening, slow → fast /慢速关闭快速打开, 由慢到快;	
	50-89	19.6-34.9	Fast closing, Slow opening, Slow → Fast /快速关闭慢速打开, 由慢到快;	
	90-119	35.3-46.7	Slow closing, Slow open, Slow → Fast /慢速关闭慢速打开, 由慢到快;	
	120-179	47.1-70.2	Random strobe, Slow → Fast /随机频闪, 由慢到快	
	180-249	70.6-97.6	Synchronous strobe, slow → fast /同步频闪, 由慢到快	
250-255	98-100	NO Function/无功能		
10	0-255		Macro/颜色宏	
11	0-255		CCT/色温	
12	0-255		Static Effect/静态效果	
13	0-255		Move Effect/动态效果	
14	0-255		Move Effect Speed/ 动态效果速度	
15	0-255		LED Effect Delay /LED 效果延时	
16	0-255		Background Color/ 背景颜色	
17	0-255		Background Dimmer/ 背景调光	
18	0-255		Red/红-1	
19	0-255		Green/绿-1	
20	0-255		Blue/蓝-1	
21	0-255		White/白-1	
22	0-255		Red/红-2	
23	0-255		Green/绿-2	
24	0-255		Blue/蓝-2	
25	0-255		White/白-2	
26	0-255		Red/红-3	
27	0-255		Green/绿-3	
28	0-255		Blue/蓝-3	
29	0-255		White/白-3	
30	0-255		Red/红-4	
31	0-255		Green/绿-4	
32	0-255		Blue/蓝-4	
33	0-255		White/白-4	
34	0-255		Red/红-5	
35	0-255		Green/绿-5	
36	0-255		Blue/蓝-5	
37	0-255		White/白-5	
38	0-255		Red/红-6	
39	0-255		Green/绿-6	
40	0-255		Blue/蓝-6	
41	0-255		White/白-6	
42	0-255		Red/红-7	
43	0-255		Green/绿-7	

44	0-255		Blue/藍-7	
45	0-255		White/白-7	
46	0-255		Red/紅-8	
47	0-255		Green/綠-8	
48	0-255		Blue/藍-8	
49	0-255		White/白-8	
50	0-255		Red/紅-9	
51	0-255		Green/綠-9	
52	0-255		Blue/藍-9	
53	0-255		White/白-9	
54	0-255		Red/紅-10	
55	0-255		Green/綠-10	
56	0-255		Blue/藍-10	
57	0-255		White/白-10	
58	0-255		Red/紅-11	
59	0-255		Green/綠-11	
60	0-255		Blue/藍-11	
61	0-255		White/白-11	
62	0-255		Red/紅-12	
63	0-255		Green/綠-12	
64	0-255		Blue/藍-12	
65	0-255		White/白-12	
66	0-255		Red/紅-13	
67	0-255		Green/綠-13	
68	0-255		Blue/藍-13	
69	0-255		White/白-13	
70	0-255		Red/紅-14	
71	0-255		Green/綠-14	
72	0-255		Blue/藍-14	
73	0-255		White/白-14	
74	0-255		Red/紅-15	
75	0-255		Green/綠-15	
76	0-255		Blue/藍-15	
77	0-255		White/白-15	
78	0-255		Red/紅-16	
79	0-255		Green/綠-16	
80	0-255		Blue/藍-16	
81	0-255		White/白-16	
82	0-255		Red/紅-17	
83	0-255		Green/綠-17	
84	0-255		Blue/藍-17	
85	0-255		White/白-17	
86	0-255		Red/紅-18	
87	0-255		Green/綠-18	
88	0-255		Blue/藍-18	
89	0-255		White/白-18	
90	0-255		Red/紅-19	
91	0-255		Green/綠-19	
92	0-255		Blue/藍-19	
93	0-255		White/白-19	

## Mode4 (74CH)/模式4 (74CH)

Channel 通道	DMX值	Percentage 百分比	function/ 功能	Note备注
1	0-255		Pan/水平	
2	0-255		Pan Fine/水平微调	
3	0-255		Tilt/垂直	
4	0-255		Tilt Fine/垂直微调	
5	0-25		No Function/无功能	
	26-30		Zoom Reset/缩放复位	
	31-40		P/T Reset/水平垂直复位	
	41-50		System Reset/整机复位	
	51-255		No Function/无功能	
6	0-255		Zoom/缩放	
7	0-255		Dimmer/调光	
8	0-255		Dimmer Fine/调光微调	
9	0-9	0-3.5	No Function/无功能	
	10-49	3.9-19.2	Slow closing, Fast opening, slow → fast /慢速关闭快速打开 由慢到快	
	50-89	19.6-34.9	Fast closing, Slow opening, Slow → Fast /快速关闭慢速打开 由慢到快	
	90-119	35.3-46.7	Slow closing, Slow open, Slow → Fast /慢速关闭慢速打开 由慢到快	
	120-179	47.1-70.2	Random strobe, Slow → Fast/随机频闪, 由慢到快	
	180-249	70.6-97.6	Synchronous strobe, slow → fast/同步频闪, 由慢到快	
250-255	98-100	No Function/无功能		
10	0-255		Macro/颜色宏	
11	0-255		CCT/色温	
12	0-255		StaticEffect/静态效果	
13	0-255		Move Effect/动态效果	
14	0-255		Move EffectSpeed/ 动态效果速度	
15	0-255		LED EffectDelay /LED 效果延时	
16	0-255		Background Color/背景颜色	
17	0-255		Background Dimmer/ 背景调光	
18	0-255		Red/红-1	
19	0-255		Green/绿-1	
20	0-255		Blue/蓝-1	
21	0-255		Red/红-2	
22	0-255		Green/绿-2	
23	0-255		Blue/蓝-2	
24	0-255		Red/红-3	
25	0-255		Green/绿-3	
26	0-255		Blue/蓝-3	
27	0-255		Red/红-4	
28	0-255		Green/绿-4	
29	0-255		Blue/蓝-4	
30	0-255		Red/红-5	
31	0-255		Green/绿-5	
32	0-255		Blue/蓝-5	
33	0-255		Red/红-6	
34	0-255		Green/绿-6	
35	0-255		Blue/蓝-6	
36	0-255		Red/红-7	
37	0-255		Green/绿-7	
38	0-255		Blue/蓝-7	
39	0-255		Red/红-8	
40	0-255		Green/绿-8	
41	0-255		Blue/蓝-8	
42	0-255		Red/红-9	
43	0-255		Green/绿-9	
44	0-255		Blue/蓝-9	
45	0-255		Red/红-10	

46	0-255		Green/绿-10	
47	0-255		Blue/蓝-10	
48	0-255		Red/红-11	
49	0-255		Green/绿-11	
50	0-255		Blue/蓝-11	
51	0-255		Red/红-12	
52	0-255		Green/绿-12	
53	0-255		Blue/蓝-12	
54	0-255		Red/红-13	
55	0-255		Green/绿-13	
56	0-255		Blue/蓝-13	
57	0-255		Red/红-14	
58	0-255		Green/绿-14	
59	0-255		Blue/蓝-14	
60	0-255		Red/红-15	
61	0-255		Green/绿-15	
62	0-255		Blue/蓝-15	
63	0-255		Red/红-16	
64	0-255		Green/绿-16	
65	0-255		Blue/蓝-16	
66	0-255		Red/红-17	
67	0-255		Green/绿-17	
68	0-255		Blue/蓝-17	
69	0-255		Red/红-18	
70	0-255		Green/绿-18	
71	0-255		Blue/蓝-18	
72	0-255		Red/红-19	
73	0-255		Green/绿-19	
74	0-255		Blue/蓝-19	

### Mode5 (17CH) / 模式5 (17CH)

Channel 通道	DMX值	Percentage 百分比	function/ 功能	Note备注
1	DMX值		Pan/水平	
2	0-255		Pan Fine/水平微调	
3	0-255		Tilt/垂直	
4	0-255		Tilt Fine/垂直微调	
5	0-25		No Function/无功能	
	26-30		Zoom Reset/缩放复位	
	31-40		P/T Reset/水平垂直复位	
	41-50		Svstem Reset/整机复位	
	51-255		No Function/无功能	
6	0-255		Zoom/缩放	
7	0-255		Dimmer/调光	
8	0-255		Dimmer Fine/调光微调	
9	0-9	0-3.5	NO Function/无功能	
	10-49	3.9-19.2	Slow closing, Fast opening, slow → fast /慢速关闭快速打开, 由慢到快;	
	50-89	19.6-34.9	Fast closing, Slow opening, Slow → Fast /快速关闭慢速打开, 由慢到快;	
	90-119	35.3-46.7	Slow closing, Slow open, Slow → Fast /慢速关闭慢速打开, 由慢到快;	
	120-179	47.1-70.2	Random strobe, Slow → Fast/随机频闪, 由慢到快	
	180-249	70.6-97.6	Synchronous strobe, slow → fast/同步频闪, 由慢到快	
250-255	98-100	NO Function/无功能		
10	0-255		Macro/颜色宏	
11	0-255		CCT/色温	
12	0-255		StaticEffect/静态效果	
13	0-255		Move Effect/动态效果	
14	0-255		Move EffectSpeed/ 动态效果速度	
15	0-255		LED EffectDelay /LED 效果延时	
16	0-255		Background Color/背景颜色	
17	0-255		Background Dimmer/ 背景调光	

### Mode6 (11CH) / 模式6 (11CH)

Channel 通道	DMX值	Percentage 百分比	function/ 功能	Note备注
1	DMX值		Pan/水平	
2	0-255		Pan Fine/水平微调	
3	0-255		Tilt/垂直	
4	0-255		Tilt Fine/垂直微调	
5	0-25		No Function/无功能	
	26-30		Zoom Reset/缩放复位	
	31-40		P/T Reset/水平垂直复位	
	41-50		Svstem Reset/整机复位	
	51-255		No Function/无功能	
6	0-255		Zoom/缩放	
7	0-255		Dimmer/调光	
8	0-255		Dimmer Fine/调光微调	
9	0-9	0-3.5	NO Function/无功能	
	10-49	3.9-19.2	Slow closing, Fast opening, slow → fast /慢速关闭快速打开, 由慢到快;	
	50-89	19.6-34.9	Fast closing, Slow opening, Slow → Fast /快速关闭慢速打开, 由慢到快;	
	90-119	35.3-46.7	Slow closing, Slow open, Slow → Fast /慢速关闭慢速打开, 由慢到快;	
	120-179	47.1-70.2	Random strobe, Slow → Fast/随机频闪, 由慢到快	
	180-249	70.6-97.6	Synchronous strobe, slow → fast/同步频闪, 由慢到快	
250-255	98-100	NO Function/无功能		
10	0-255		Macro/颜色宏	
11	0-255		CCT/色温	