

LIGHT SKY[®]

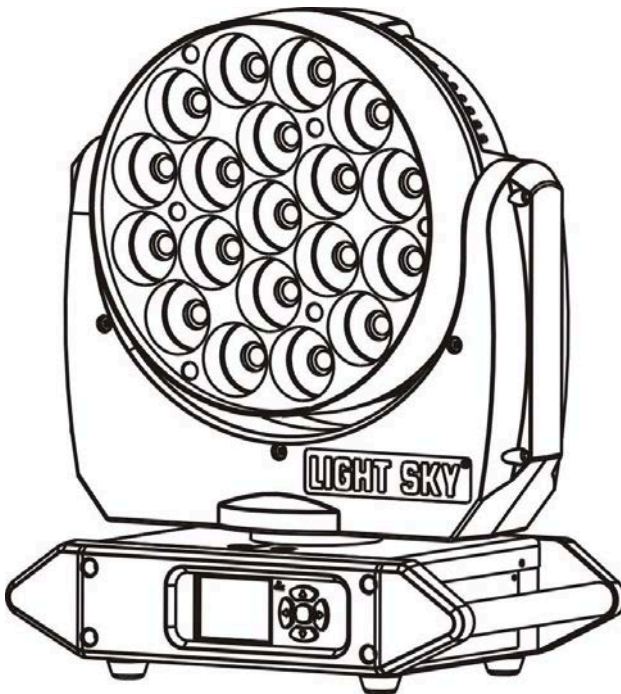
USER MANUAL

PROFESSIONAL SHOW LIGHTING

LED

TX1910 WASH

AC100~240V 50/60Hz



www.lightsky.com.cn/www.lightsky-china.com

FLY DRAGON LIGHTING EQUIPMENT CO., LTD

CONTENTS

- 1. General information..... 2**
- 2. Safety instructions..... 3**
- 3. Trait and skill specifications 4**
- 4. Operation panel..... 5**
- 5. Dimensional drawings..... 6**
- 6. Photometric data..... 6**
- 7. Mounting and Installation..... 7**
- 8. Power supply and Signal connection..... 9**
- 9. Display menu..... 11**
- 10. DMX traits..... 19**
- 11. Circuit connecting diagram..... 24**
- 12. Trouble dispose..... 25**
- 13. Cleaning and Maintenance..... 26**
- 14. Duty exonerative and Copyright protection..... 26**

1. GENERAL INFORMATION

INTRODUCTION: Congratulations, you have just purchased one of the most innovative and reliable LED fixtures on the market today. Our company has been designed to perform reliably for years when the guidelines in this booklet are followed. Please read and understand the instructions in this manual carefully and thoroughly before attempting to operate this unit. These instructions contain important information regarding safety during use and maintenance.

Notice: As part of our ongoing commitment to continuous products update, company will keep the right to improve this products, the information in this menu may be changed in the future, the company reserve the right to change the data without any advises.

UNPACKING: Thank you for purchasing our company products. Every product has been thoroughly tested and has been shipped in perfect operating condition. Carefully check the shipping carton for damage that may have occurred during shipping. If the carton appears to be damaged, carefully inspect your fixture for damage and be sure all accessories necessary to operate the fixture have arrived intact. In the event damage has been found or parts are missing, please contact our customer support team for further instructions. Inside the box you should find: the fixture, a DMX XLR cable, a power cable, and this user manual.

Please do not discard the shipping carton in the trash. Please recycle whenever possible.

2. SAFETY INSTRUCTIONS

Notice: To guarantee proper and consistent operation, it is important to follow the guidelines in this manual. Our company will not accept responsibility for damages resulting from the misuse of this fixture due to the disregard of the information printed in this manual.

- 1. In order to ensure the light could operate normally, the ambient temperature couldn't be higher than 38°C and no lower than -2°C.
- 2. Under normal condition, the highest sectional surface temperature may be up to 60 °C.
- 3. These projectors are designed depends on the electric shock protection, the projector should be connected with the power supply system which connected ground enough. The projector's ground cable should be connected with the ground cable of the power supply system as well. The ground mark of the light metal cover should be connecting with the installation bricked steadily.
- 4. Don't use the power cable when the insulation is damaged. It must be the manufacturer or distributor or the professional person to change the damaged power cable in order to avoid any dangerous.
- 5. Please check the voltage, frequency data of power supply system is suitable for the mentioned on the projector. Please do avoid the different voltage between them and burn the projector.
- 6. Do not attempt to operate this fixture if the power cord has become damaged or frayed.
- 7. Never open this fixture while in use.
- 8. Never look directly into the light source. You risk injury to your retina, which may induce blindness.
- 9. Please be aware that damages caused by modifications to the device are not subject to warranty.

3. PERFORMANCE TRAIT AND SKILL SPECIFICATIONS

- ◎ Voltage : AC100~240V 50/60Hz.
- ◎ Power : 270W.
- ◎ LED chip : 10W , RGBW 4 in 1 LED chip.
- ◎ LED QTY : 19PCS.
- ◎ LED life : 50000H.
- ◎ Lens degree: standard:8°,beam angle:10°.
Choice:22°, beam angle:32°.
- ◎ Color: RGBW macro color system.
- ◎ Strobe:1-30 times/ second electronic strobe and random strobe.
- ◎ Dimmer : 65536 class dimmer.
- ◎ Pan/Tilt : Pan : 540° times /2.0 seconds Tilt: 180°/1.2 seconds.
- ◎ Control Mode: DMX512, RDM, Stand-alone mode ,Voice Control mode , Mater-Slave mode , Wireless DMX512.
- ◎ Channel: Simple(9CH),Standard(15CH), Extended1(23CH),
Extended2(27CH)
- ◎ Display Menu:
 1. 2.4 inches TFT touch screen, Chinese and English two version language.
 - 2, Display board can record device's using time , show device's temperature, channel data and software version .
 - 3, Edit the procedure
- ◎ Other feature :
 - 1.Extend IP address function , each IP address maximum can set 64 ID.

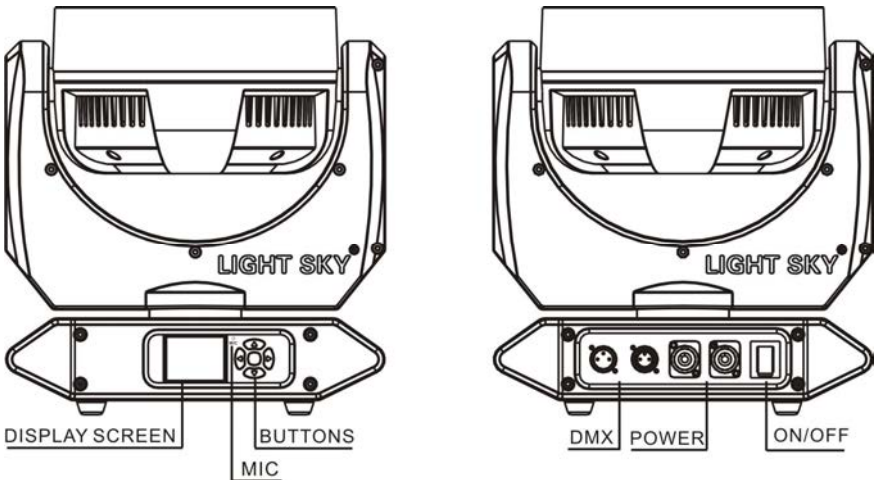
2.Support DMX signal priority identification, when lose the signal it would be turn into Black , default scene , Automatic function etc according to your set.

3.Remote control function: control the procedure, speed etc function by the remote controller when the product under the condition without signal.

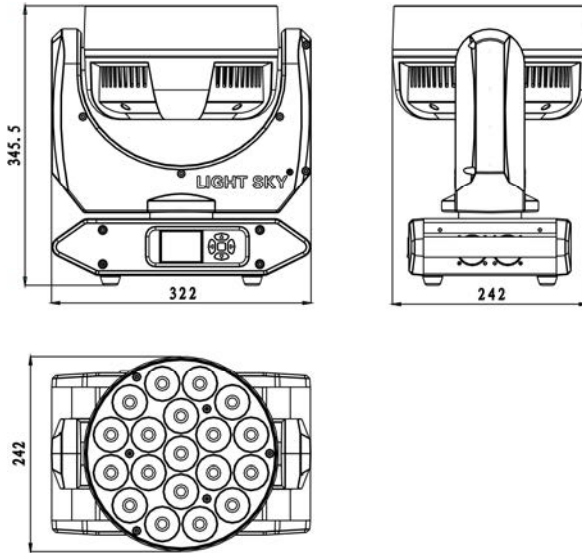
4.Software upgrade : upgrade software by XRL cable.

- ◎ Outlooking: adopt ABS anti-fire plastic.
- ◎ Carton size : 412×287×525MM.
- ◎ N.W.: 8.5KG G.W.: 11.1KG
- ◎ Light size:322×242×345.5MM

4. OPERATION PANEL



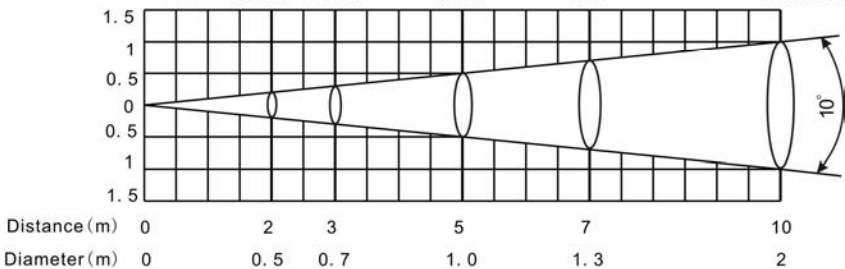
5. DIMENSIONAL DRAWINGS



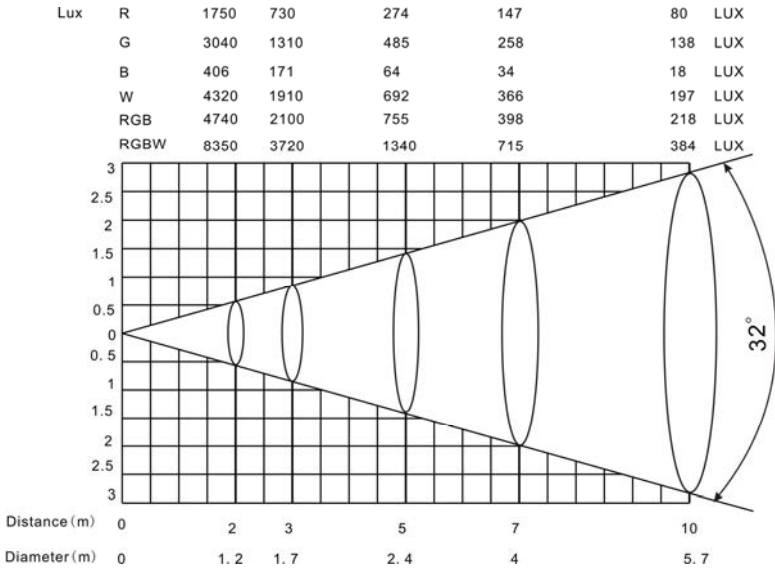
6. PHOTOMETRIC DATA

8° Lens

Lux	R	78000	3860	1490	780	428	LUX
	G	21200	11300	4260	2220		1100 LUX
	B	26200	1480	540	274		136 LUX
	W	23800	12300	4520	2400		1220 LUX
	RGB	27800	14900	5450	2920		1500 LUX
	RGBW	55000	25200	9250	4900		2540 LUX



22° Lens



7. MOUNTING AND INSTALLATION

Cautions:

For added protection mount the fixtures in areas outside walking paths, seating areas, and away from areas where unauthorized personnel might reach the fixture. Before mounting the fixture to any surface, make sure that the installation area can hold a minimum point load of 10 times the device's weight. Fixture installation must always be secured with a secondary safety attachment, such as an appropriate safety cable. To avoid injury, never stand directly below the device when mounting, removing, or servicing the fixture.

Mounting points:

Overhead mounting requires extensive experience, including amongst others calculating working load limits, a fine knowledge of the installation material being used, and periodic safety inspection of all installation material and the fixture. If you lack these qualifications, do

not attempt the installation yourself. Improper installation can result in bodily injury. Be sure to complete all rigging and installation procedures before connecting the main power cord to the appropriate wall outlet.

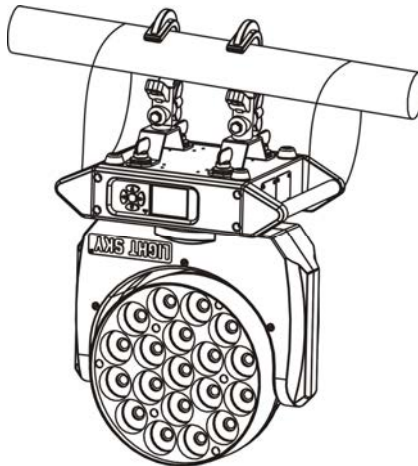
**CAUTION!**

Be sure a qualified electrician performs all electrical connections.

Mounting

Our company is fully operational in any mounting position, hanging upside-down, side mounted, or set on a flat level surface, etc. Be sure this fixture is kept at least 0.5m (about 1.6feet) away from any flammable materials (decoration etc.).

When clamp mounting; always use and install the supplied safety cable as an added safety measure to prevent accidental damage in the event of a clamp failure. See the image below.



8. POWER SUPPLY AND SIGNAL CONNECTION

1. Power supply

Use the professional plug to connect the projector and main power supply. Please pay attention to the voltage, frequency the same as the mentioned on the projector. Suggest each light has separately switched of the power supply so that could turn on or turn off each projector desultorily.

2. Signal connection

Please use the round 3/5-pin XLR plugs & sockets offered by menu facture to connect the first projector's output to the second projector' input and connect the second projector's output to the third device's input. And in the same way for the rest, eventually connect the last device's output, all the devices are together as the following figure.

The devices' control signal output or input by using the 3/5-pin XLR pug and socket. If need to long then the communication cable, please make sure the both side of 3/5-pin plug is one to one. (one to one, two to two, three to three). Otherwise, the communication cable will be interrupted.

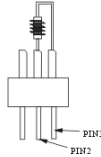


The communicate cable is 2-pin shielded cable 75Ω

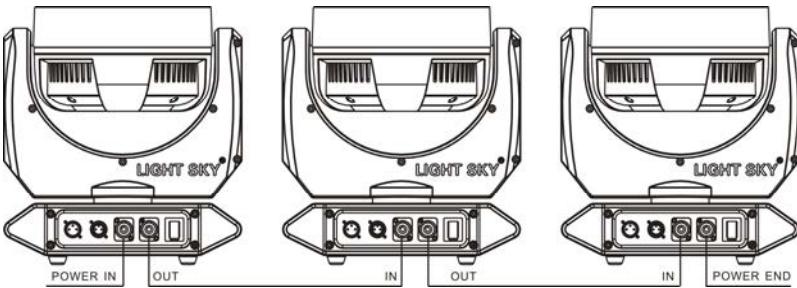
Resistance with each core is at least a 0.5mm diameter. (Caution: All the inside leading wire of 3/5-pin XLR plug couldn't touch each other or plinth).

Recommend to use the DMX signal terminator for the installation to avoid the electronic noise damage the digital control signal. Simply

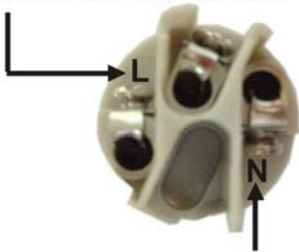
speaking, DMX terminator is an XLR connector with a 120Ω 1/2w resistor connected across pin 2 and 3. Which is then plugged into the output socket on the last projector in the chain. Refer to the connection as above: (Picture). We suggest using the DMX signal distributor when the distance of the lights over 15meter, In case of effect the light communication because of the signal feeble.



3. Light power connection:



The L terminal is connected with the brown line



The N terminal is connected with the blue line

the items can't be more than 6pcs under series connection.

After doing the above operation and making sure all the devices had been installed with natural operate, press the power switch to check whether everything is working normally.

9. DISPLAY MENU

I Menu	II Menu	III Menu	Remark	
SETTING	DMX Address	001-512		
	Fixture ID	000-064		
	Channel mode	Simple (9CH)		
		Standard (15CH)		Default
		Extended1 (23CH)		
		Extended2 (27CH)		
	DMX input mode	Wired input		Default
		Wireless input		
		Reset wireless		
	DMX function	Hold		
		Black		
		D. scene		
		Program 1		
		Program 2		
		Program 3		
		Program 4		
		Program 5		
		Program 6		
	Slave-Master	Slave mode		
		Master mode		
	Sound control	Close		
		Open		
	Exit			

I Menu	II Menu	III Menu	Remark	
INFO	Fixture times	Power on time ****H		
		Lamp on time ****H		
	Fixture temperatures	LAMP_TEM ***°C		
	RDM UID	3888:*****		
	DMX live	1. Dimmer	0-255	
		2. Dimmer fine	0-255	
		3. Shutter	0-255	
		4. Red-1	0-255	
		5. Green-1	0-255	
		6. Blue-1	0-255	
		7. White-1	0-255	
		8. Red-2	0-255	
		9. Green-2	0-255	
		10. Blue-2	0-255	
		11. White-2	0-255	
		12. Red-3	0-255	
		13. Green-3	0-255	
		14. Blue-3	0-255	
		15. White-3	0-255	
		16. Red-4	0-255	
		17. Green-4	0-255	
		18. Blue-4	0-255	
		19. White-4	0-255	
		20. Macro colour	0-255	
21. Pan		0-255		
22. Pan fine		0-255		
23. Tilt	0-255			
24. Tilt fine	0-255			

I Menu	II Menu	III Menu	Remark
INFO	DMX live	25.Fixture control 0-255	
		26.Calibration 0-255	
		27.Slave ID 0-255	
	Version info	LED_XY_SOFT:V*.**	
		LED_DPY_SOFT:V*.**	
	Exit		

I Menu	II Menu	III Menu	IV Menu	Remark
PERSON	Pan/Tilt	P/T swap	Close	Default
			Open	
		Pan invert	Close	Default
			Open	
		Tilt invert	Close	Default
			Open	
	Exit			
	Reset	System reset		
		Exit		
	Quick closedown	Open		
		Close		
	P/T angle limit	Close		
		Open		
	Program on/off	Close		
		Open		
	Set P/T angle	Pan start	0-255	
		Pan end	0-255	
		Tilt start	0-255	
		Tilt end	0-255	
		Exit		

I Menu	II Menu	III Menu	IV Menu	Remark
PERSON	Display	Display language	English(英文)	Default
			Chinese (中文)	
		Display sleep	Light always	
			2 minutes	Default
			4 minutes	
			6 minutes	
		Display intensity	10-100	
		Display rotation	Normal	Default
			Rotate 180	
		TFT calibration		
	Exit			
	Exit			

I Menu	II Menu	III Menu	Remark
MANUAL	1. Dimmer	0-255	
	2. Dimmer fine	0-255	
	3. Shutter	0-255	
	4. Red-1	0-255	
	5. Green-1	0-255	
	6. Blue-1	0-255	
	7. White-1	0-255	
	8. Red-2	0-255	
	9. Green-2	0-255	
	10.Blue-2	0-255	
	11.White-2	0-255	
	12.Red-3	0-255	
	13.Green-3	0-255	
	14.Blue-3	0-255	
	15.White-3	0-255	
	16.Red-4	0-255	
	17.Green-4	0-255	
	18.Blue-4	0-255	
	19.White-4	0-255	
	20.Macro	0-255	
	21.Pan	0-255	
	22.Pan fine	0-255	
	23.Tilt	0-255	
	24.Tilt fine	0-255	
	25.Fixture	0-255	
	26.CAL	0-255	
	27.Slave ID	0-255	
Exit			

I Menu	II Menu	III Menu	IV Menu
PROGRAM	Edit program	Edit program 1	Scene 0-100
			1. Dimmer 0-255
			2. Dimmer fine 0-255
			3. Shutter 0-255
			4. Red-1 0-255
			5. Green-1 0-255
			6. Blue-1 0-255
			7. White-1 0-255
			8. Red-2 0-255
			9. Green-2 0-255
			10.Blue-2 0-255
			11.White-2 0-255
			12.Red-3 0-255
			13.Green-3 0-255
			14.Blue-3 0-255
			15.White-3 0-255
			16.Red-4 0-255
			17.Green-4 0-255
			18.Blue-4 0-255
			19.White-4 0-255
			20.Macro 0-255
			21.Pan 0-255
			22.Pan fine 0-255
			23.Tilt 0-255
			24.Tilt fine 0-255
25.Fixture 0-255			

I Menu	II Menu	III Menu	IV Menu	
PROGRAM	Edit program	Edit program 1	26.CAL 0-255	
			27.Slave ID 0-255	
			Save scene	
			Exit	
		Edit program 2	Same as Edit program1	
		Edit program 3	Same as Edit program1	
		Edit program 4	Same as Edit program1	
		Edit program 5	Same as Edit program1	
		Edit program 6	Same as Edit program1	
		Edit program 7	Same as Edit program1	
		Edit program 8	Same as Edit program1	
		Exit		
	Set program	Set program 1		Start step 0-100
				End step 0-100
				Step time0-255
				Save
				Exit
		Set program 2	Same as Set program 1	
		Set program 3	Same as Set program 1	
		Set program 4	Same as Set program 1	
		Set program 5	Same as Set program 1	
		Set program 6	Same as Set program 1	
		Set program 7	Same as Set program 1	
		Set program 8	Same as Set program 1	
	Exit			
	Run	Running program...		

I Menu	II Menu	III Menu	IV Menu
PROGRAM	Fixed scene	Scene 0-100	
		Save scene	
		Exit	
	Exit		
SERVICE	Error list		
	Calibration	Pan	±5.00%
		Tilt	±5.00%
		Exit	
	Factory	Factory default	****
		Calibration default	****
		Time clean	****
		Developer	****
		Machine sel	****
		Exit	
	Updata	****	
	Exit		

10、DMX TRAITS

Channel	DMX values	%	Effect
1. Dimmer	0-255	0-100	
2. Dimmer fine	0-255	0-100	
3. Shutter	0-9	0-3	No function
	10-49	4-19	Slow closing, Fast opening, slow → fast
	50-89	20-34	Fast closing, Slow opening, Slow → Fast
	90-119	35-46	Slow closing, Slow open, Slow → Fast
	120-179	47-70	Random strobe, Slow → Fast
	180-249	71-98	Synchronous strobe, slow → fast
	250-255	99-100	No function
4. Red-1	0-255	0-100	
5. Green-1	0-255	0-100	
6. Blue-1	0-255	0-100	
7. White-1	0-255	0-100	
8. Red-2	0-255	0-100	
9. Green-2	0-255	0-100	
10. Blue-2	0-255	0-100	
11. White-2	0-255	0-100	
12. Red-3	0-255	0-100	
13. Green-3	0-255	0-100	
14. Blue-3	0-255	0-100	
15. White-3	0-255	0-100	
16. Red-4	0-255	0-100	
17. Green-4	0-255	0-100	
18. Blue-4	0-255	0-100	
19. White-4	0-255	0-100	

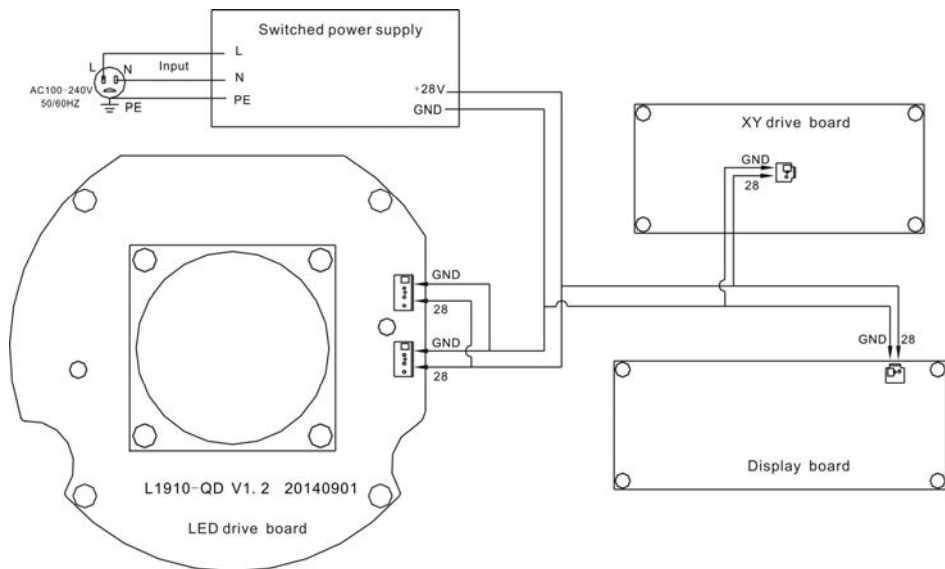
Channel	DMX values	%	Effect
20. Macro colour	0-1	0-1	No function
	2-225	1-88	Colour gradient change
	226-230	89-90	2700K
	231-235	91-92	3200K
	236-240	93-94	4200K
	241-245	95-96	5600K
	246-250	97-98	6500K
	251-255	99-100	8000K
21. Pan	0-255	0-100	
22. Pan fine	0-255	0-100	
23. Tilt	0-255	0-100	
24. Tilt fine	0-255	0-100	
25. Fixture control	0-9	0-3	No function
	10-14	4-5	System Reset
	15-19	5-7	Open
	20-24	7-9	Close
	25-29	10-11	Quick open
	30-34	12-13	Quick close
	35-128	14-50	No function
	129-133	51-52	Simple(9CH)
	134-138	53-54	Standard(15CH)
	139-143	55-56	Extended1(23CH)
	144-148	57-58	Extended2(27CH)
	149-239	59-93	No function
	240-244	94-95	Pan Calibration
	245-249	96-97	Tilt Calibration
250-255	98-100	No function	
26. Calibration	0-255	0-100	

Channel	DMX values	%	Effect
27. Slave ID	0-2	0	All IDs are efficient lighting its own ID to 0, the channel set to any value is valid
	3-5	1-2	ID:1 effective
	6-8	2-3	ID:2 effective
	
	192-194	75-76	ID:64 effective
	195-197	76-77	ID is(2*n)+1 effective,(n=0-31) 1、3、5、7、9...63
	198-200	77-78	ID is(2*n)+2 effective,(n=0-31) 2、4、6、8、10...64
	201-203	78-79	ID is(3*n)+1 effective,(n=0-21) 1、4、7、10、13...64
	204-206	80-81	ID is(3*n)+2 effective,(n=0-20) 2、5、8、11、14...62
	207-209	81-82	ID is(3*n)+3 effective,(n=0-20) 3、6、9、12、15...63
	210-212	82-83	ID is(4*n)+1 effective,(n=0-15) 1、5、9、13、17...61
	213-215	83-84	ID is(4*n)+2 effective,(n=0-15) 2、6、10、14、18...62
	216-218	84-85	ID is(4*n)+3 effective,(n=0-15) 3、7、11、15、19...63
	219-221	85-86	ID is(4*n)+4 effective,(n=0-15) 4、8、12、16、20...64

Channel	DMX values	%	Effect
27. Slave ID	222-224	87-88	ID is(5*n)+1 effective,(n=0-12) 1、 6、 11、 16、 21...61
	225-227	88-89	ID is(5*n)+2 effective,(n=0-12) 2、 7、 12、 17、 22...62
	228-230	89-90	ID is(5*n)+3 effective,(n=0-12) 3、 8、 13、 18、 23...63
	231-233	90-91	ID is(5*n)+4 effective,(n=0-12) 4、 9、 14、 19、 24...64
	234-236	91-92	ID is(5*n)+5 effective,(n=0-11) 5、 10、 15、 20、 25...60
	237-239	93-94	ID is(6*n)+1 effective,(n=0-10) 1、 7、 13、 19、 25...61
	240-242	94-95	ID is(6*n)+2 effective,(n=0-10) 2、 8、 14、 20、 26...62
	243-245	95-96	ID is(6*n)+3 effective,(n=0-10) 3、 9、 15、 21、 27...63
	246-248	96-97	ID is(6*n)+4 effective,(n=0-10) 4、 10、 16、 22、 28...64
	249-251	97-98	ID is(6*n)+5 effective,(n=0-9) 5、 11、 17、 23、 29...59
	252-254	98-99	ID is(6*n)+6 effective,(n=0-9) 6、 12、 18、 24、 30...60
	255	100	All IDs are valid

Simple	Standard	Extended1	Extended2	Function
1	1	1	1	Dimmer
—	2	2	2	Dimmer fine
2	3	3	3	Shutter
3	4	4	4	Red /Red-1
4	5	5	5	Green /Green-1
5	6	6	6	Blue /Blue-1
6	7	7	7	White/White-1
—	—	8	8	Red-2
—	—	9	9	Green-2
—	—	10	10	Blue-2
—	—	11	11	White-2
—	—	12	12	Red-3
—	—	13	13	Green-3
—	—	14	14	Blue-3
—	—	15	15	White-3
—	—	—	16	Red-4
—	—	—	17	Green-4
—	—	—	18	Blue-4
—	—	—	19	White-4
—	8	16	20	Macro colour
7	9	17	21	Pan
—	10	18	22	Pan fine
8	11	19	23	Tilt
—	12	20	24	Tilt fine
9	13	21	25	Fixture control
—	14	22	26	Calibration
—	15	23	27	Slave ID

11. CIRCUIT CONNECTING DIAGRAM



12. TROUBLE DISPOSE

It is recommended some solution for some normal trouble shooting. Any inextricability problems should always be handling by the professional person. Disconnect the power supply before maintenance the light.

●LED off:

1. Please check if install the suitable voltage
2. Please check whether the led will reach the end of their life can explode; please replace a same description led.
3. Please check if the power supply is enough.
4. Please check whether the DMX 512 controller pass the "turn on" order.

●Though the light is lighting, but it couldn't accept the control order:

1. Please check the start code address and the function option are correct.
2. Please check whether the communicate control cable is on good connection or the cable is too long or interrupt.
3. Please check the control system is not valid, check the signal amplifier of chain connected is valid.
4. Please check whether the communicate cable is too long or the other equipment is mutually conjugate.
5. Please arrange the wire well, shorter the signal cable, put the high voltage cable and low voltage cable separately.
6. Add the signal amplify isolator.
7. Signal cable is used the excellent screening doublet (Resistance 75 OHM)
8. The end of the light end and the end resistance.

●The light can't move:

1. Please check if the power supply is suitable for the light voltage data.
2. Please check the fuse of input voltage is defective.
3. Please check the light if they are deformation, inside parts is broken, become wet etc will lead the loose contact.

13. CLEANING AND MAINTENANCE

- 1. In order to ensure the projector could work normally. It should be kept clean always .The lens should also be regularly cleaned to maintain an optimum light output. Do not use any type of solvent on lens. It will damage the projector.
- 2. Suggestion: The continue usage of the light don't exceed 4 hours. Or it will shorter the usage of the lamp. Please use the alternative operation to solve this problem.
- 3. Please disconnect the power supply when begin to maintenance take down the light. Please let the parts cool down 10 minute at least then begin to install.
- 4. Please inspect the lens or other moving parts timing and keep them clear and static. If find anything damaged or looseness must change a lamp or fix the lamp in order to avoid the accident.

CAUTION!

Disconnect from mains before starting maintenance operation.

14.DUTY EXONERATIVE AND COPYRIGHT PROTECTION

- ◎ Any products broken that didn't according to the instruction is not guarantee to keep it in good repair.
- ◎ The commentary for all the instruction belongs to the supplier in final.
- ◎ No authorize can't copy.

LIGHT SKY[®]

FLY DRAGON LIGHTING EQUIPMENT CO.,LTD

Tel: 0086-20-61828288

Fax: 0086-20-61828188 Pc:510800

Web: www.lightsky.com.cn

www.lightsky-china.com

E-Mail: flydragon@vip.163.com

lightsky01@vip.163.com

lightsky08@vip.163.com

flydragon@lightsky.com.cn

lightsky-china@vip.163.com

13829779791@vip.163.com

flydragon@lightsky-china.com

**Add: No.51 Yunfeng Rd , Xinhua Industrial Zone,Huadu
District,Guangzhou City,China.**